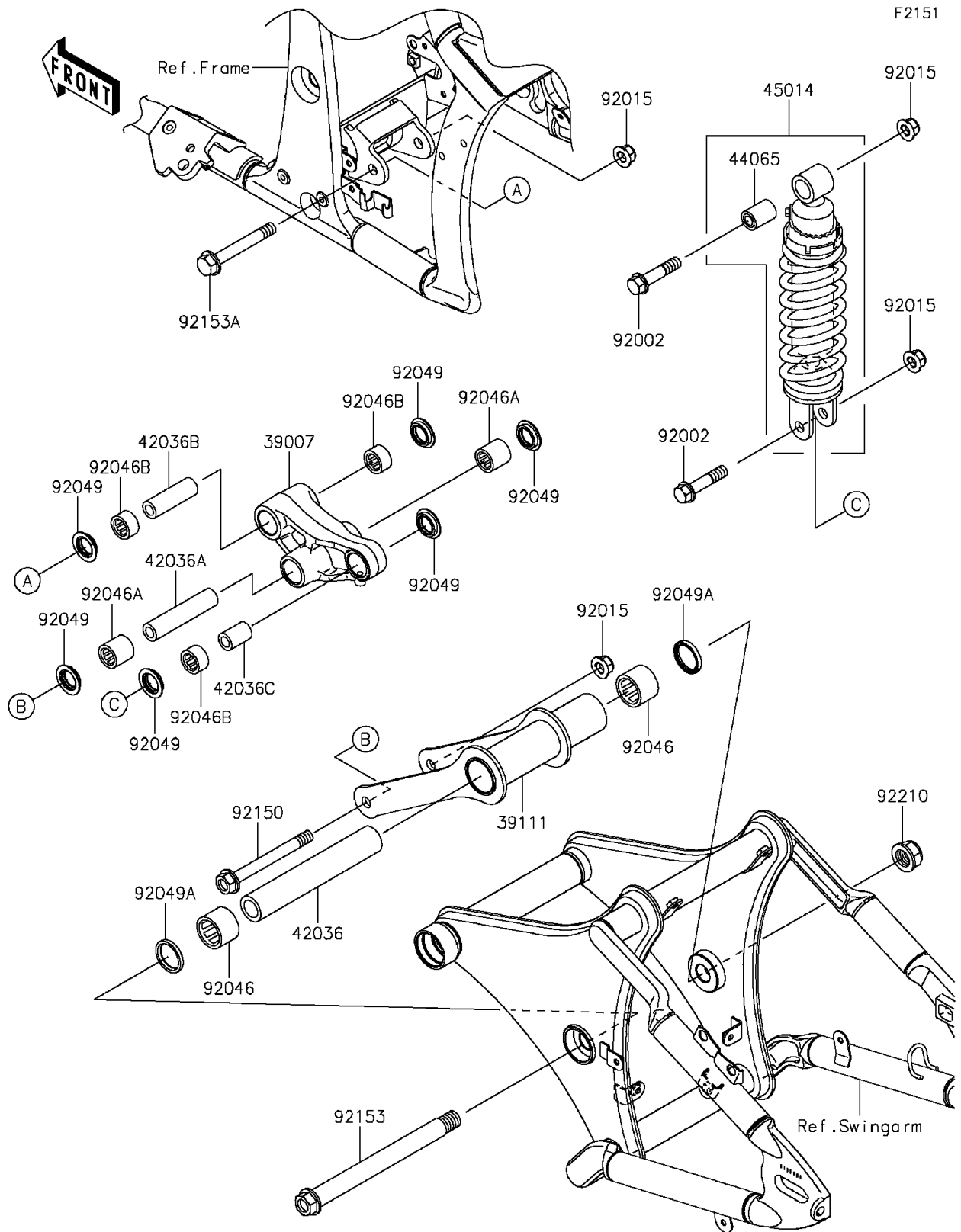


2013 VULCAN® 900 CLASSIC LT PARTS DIAGRAM

Suspension/Shock Absorber



2013 VULCAN® 900 CLASSIC LT PARTS LIST

Suspension/Shock Absorber

| ITEM NAME | PART NUMBER | QUANTITY |
|--|-------------|----------|
| ARM-SUSP,UNI TRAK (Ref # 39007) | 39007-0160 | 1 |
| ROD-TIE,SUSPENSION (Ref # 39111) | 39111-0026 | 1 |
| SLEEVE,20.1X30X171 (Ref # 42036) | 42036-0032 | 1 |
| SLEEVE,12.1X20X92 (Ref # 42036A) | 42036-0040 | 1 |
| SLEEVE,ARM,FR (Ref # 42036B) | 42036-1078 | 1 |
| SLEEVE,12.1X20X30 (Ref # 42036C) | 42036-1234 | 1 |
| BUSHING,SHOCKABSORBER (Ref # 44065) | 44065-1017 | 1 |
| SHOCKABSORBER (Ref # 45014) | 45014-0271 | 1 |
| BOLT,12X55 (Ref # 92002) | 92002-1130 | 1 |
| NUT,LOCK,FLANGED,12MM (Ref # 92015) | 92015-1433 | 1 |
| BEARING-NEEDLE,30BM3726 (Ref # 92046) | 92046-0019 | 1 |
| BEARING-NEEDLE,BM202726 (Ref # 92046A) | 92046-1110 | 1 |
| BEARING-NEEDLE,BM202715 (Ref # 92046B) | 92046-1112 | 1 |
| SEAL-OIL,ARM (Ref # 92049) | 92049-1109 | 1 |
| SEAL-OIL,BJN 30374 (Ref # 92049A) | 92049-1205 | 1 |
| BOLT,FLANGED,12X117 (Ref # 92150) | 92150-1895 | 1 |
| BOLT,FLANGED,18X214 (Ref # 92153) | 92153-1392 | 1 |
| BOLT,FLANGED,12X90 (Ref # 92153A) | 92153-1403 | 1 |
| NUT,LOCK,18MM (Ref # 92210) | 92210-0267 | 1 |