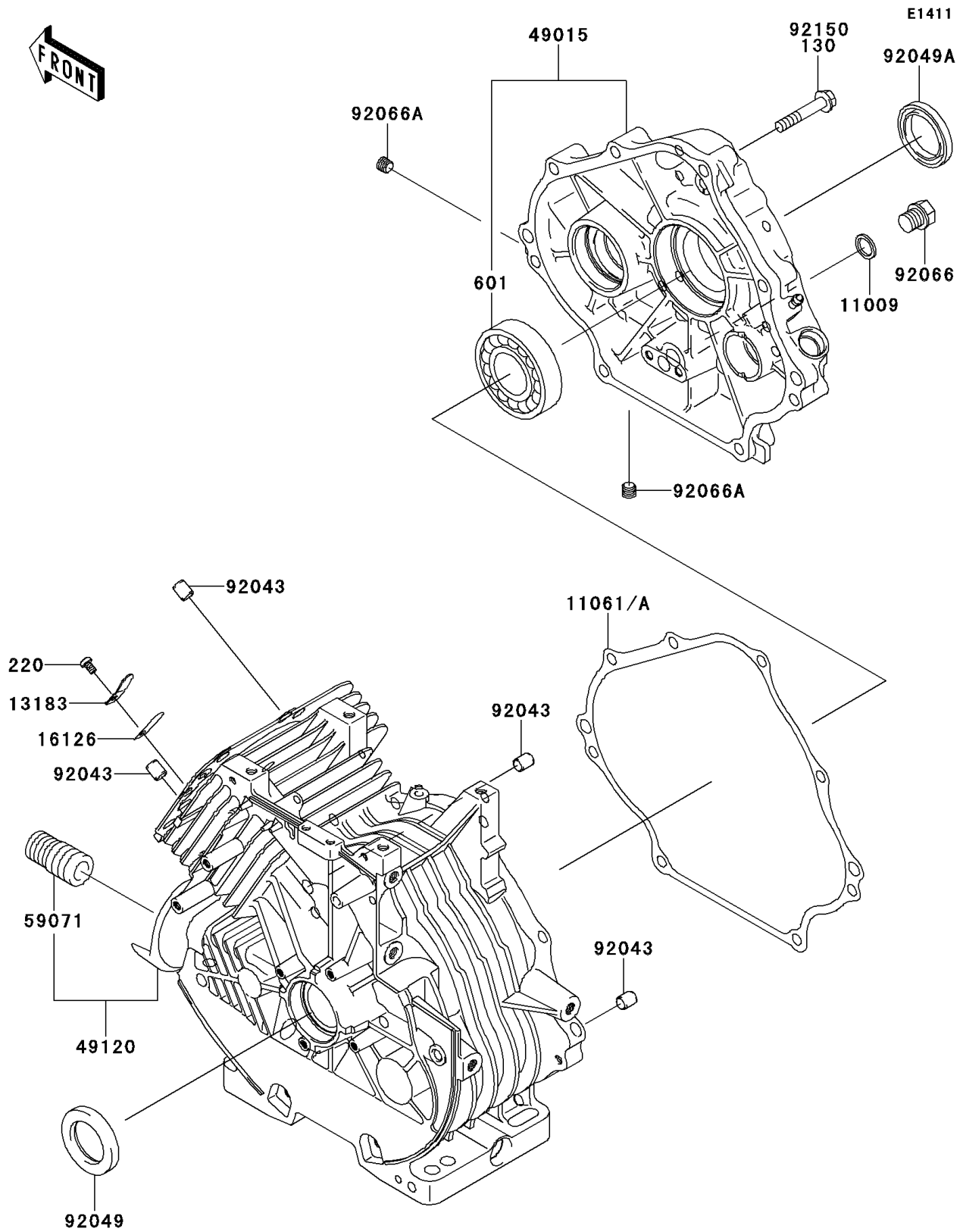


2011 MULE™ 600 PARTS DIAGRAM

Crankcase



2011 MULE™ 600 PARTS LIST

Crankcase

| ITEM NAME | PART NUMBER | QUANTITY |
|--|-------------|----------|
| BOLT-FLANGED,8X45 (Ref # 130) | 130CA0845 | 1 |
| SCREW-PAN-CROS,5X8 (Ref # 220) | 220AA0508 | 1 |
| BEARING-BALL (Ref # 601) | 601A6207 | 1 |
| GASKET (Ref # 11009) | 11009-2175 | 1 |
| GASKET,COVER-CRANKCASE (Ref # 11061A) | 11061-7028 | 1 |
| PLATE (Ref # 13183) | 13183-2120 | 1 |
| VALVE (Ref # 16126) | 16126-2146 | 1 |
| COVER-CRANKCASE (Ref # 49015) | 49015-7050 | 1 |
| CRANKCASE-COMP (Ref # 49120) | 49120-6162 | 1 |
| JOINT (Ref # 59071) | 59071-2079 | 1 |
| PIN (Ref # 92043) | 92043-7001 | 1 |
| SEAL-OIL,SD 35X48X8 R HS (Ref # 92049) | 92049-7010 | 1 |
| SEAL-OIL (Ref # 92049A) | 92049-7018 | 1 |
| PLUG,14X12 (Ref # 92066) | 92066-2253 | 1 |
| PLUG (Ref # 92066A) | 92066-7026 | 1 |