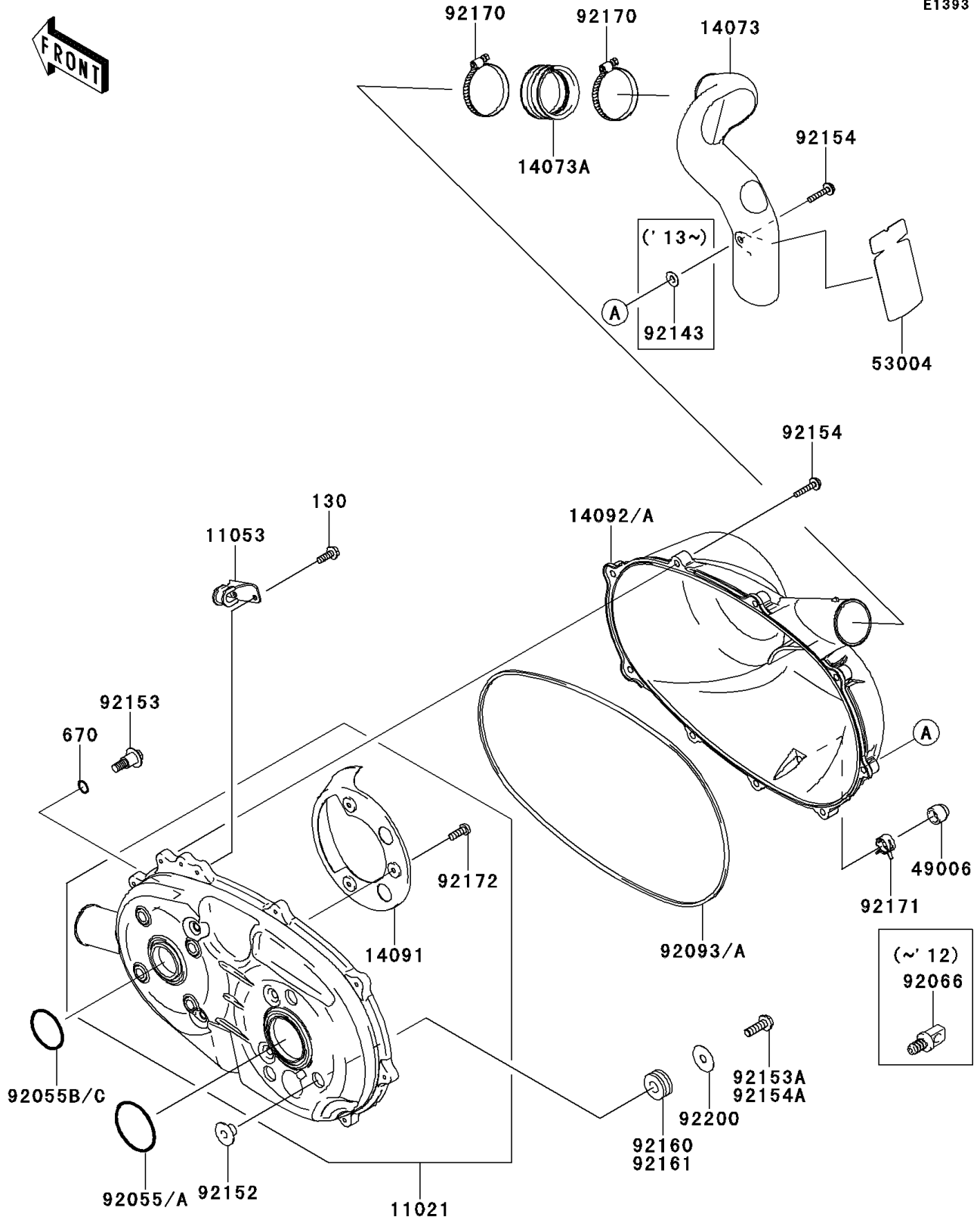


2011 MULE™ 600 PARTS DIAGRAM

Converter Cover

E1393



2011 MULE™ 600 PARTS LIST

Converter Cover

| ITEM NAME | PART NUMBER | QUANTITY |
|--|-------------|----------|
| BOLT-FLANGED,6X18 (Ref # 130) | 130BB0618 | 1 |
| O RING,12MM (Ref # 670) | 670D2012 | 1 |
| CASE-ASSY,BELT CONVERTER (Ref # 11021) | 11021-0023 | 1 |
| BRACKET (Ref # 11053) | 11053-1483 | 1 |
| DUCT,EXHAUST (Ref # 14073) | 14073-0287 | 1 |
| DUCT,JOINT (Ref # 14073A) | 14073-1775 | 1 |
| COVER (Ref # 14091) | 14091-0391 | 1 |
| COVER,BELT,CONVERTER (Ref # 14092) | 14092-0125 | 1 |
| MAT (Ref # 53004) | 53004-0051 | 1 |
| RING-O,64X4 (Ref # 92055) | 92055-0048 | 1 |
| RING-O,50X4 (Ref # 92055C) | 92055-1501 | 1 |
| PLUG,DRAIN,11X19 (Ref # 92066) | 92066-1580 | 1 |
| SEAL (Ref # 92093) | 92093-0179 | 1 |
| COLLAR (Ref # 92152) | 92152-0894 | 1 |
| BOLT,8X26.5 (Ref # 92153) | 92153-0594 | 1 |
| BOLT,FLANGED,8X25 (Ref # 92153A) | 92153-0953 | 1 |
| BOLT,6X35 (Ref # 92154) | 92154-0342 | 1 |
| DAMPER (Ref # 92160) | 92160-1012 | 1 |
| CLAMP (Ref # 92170) | 92170-1764 | 1 |
| SCREW,5X14 (Ref # 92172) | 92172-0166 | 1 |
| WASHER,8.5X29X0.8 (Ref # 92200) | 92200-0574 | 1 |