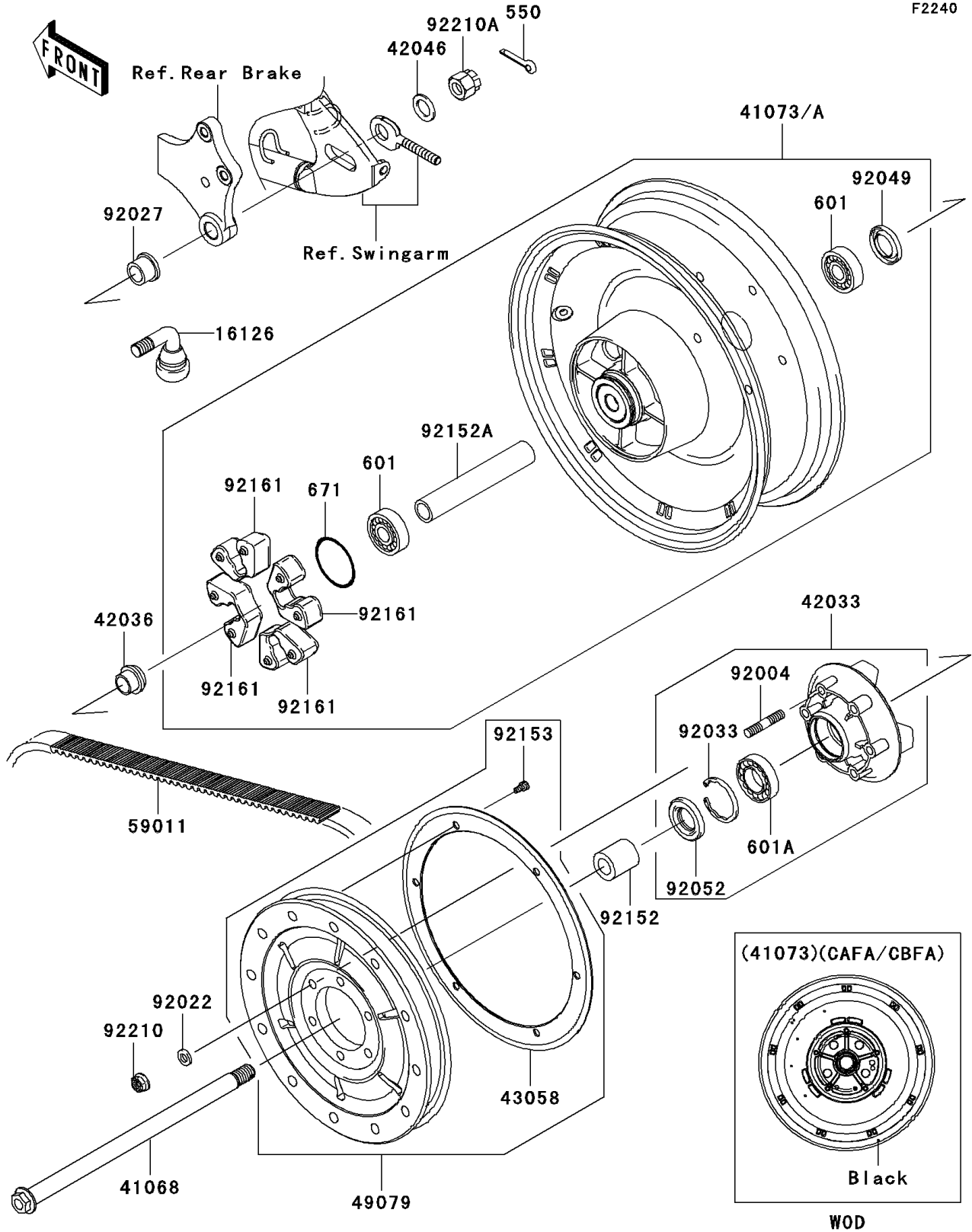


# 2011 VULCAN® 900 CUSTOM PARTS DIAGRAM

Rear Wheel/Chain

F2240



## 2011 VULCAN® 900 CUSTOM PARTS LIST

### Rear Wheel/Chain

| ITEM NAME                                     | PART NUMBER    | QUANTITY |
|---|----------------|----------|
| PIN-COTTER,4.0X35 (Ref # 550)                 | 550AA4035      | 1        |
| BEARING-BALL,6204UUC3 (Ref # 601)             | 601B6204UU     | 2        |
| BEARING-BALL (Ref # 601A)                     | 601B6205UU     | 1        |
| O RING,60MM (Ref # 671)                       | 671B2560       | 1        |
| VALVE,TIRE (Ref # 16126)                      | 16126-0036     | 1        |
| AXLE,RR (Ref # 41068)                         | 41068-0057     | 1        |
| WHEEL-ASSY,RR,P.SILVER (Ref # 41073A)         | 41073-0083-496 | 1        |
| COUPLING-ASSY,RR HUB (Ref # 42033)            | 42033-0022     | 1        |
| SLEEVE,RR HUB,L=23 (Ref # 42036)              | 42036-1251     | 1        |
| WASHER,21X33X2.6 (Ref # 42046)                | 42046-003      | 1        |
| RING,REAR PULLEY (Ref # 43058)                | 43058-0011     | 1        |
| PULLEY-BELT (Ref # 49079)                     | 49079-0011     | 1        |
| BELT,DRIVE,153T (Ref # 59011)                 | 59011-0013     | 1        |
| STUD,10X35 (Ref # 92004)                      | 92004-0016     | 6        |
| WASHER,10.5X19X3.2 (Ref # 92022)              | 92022-1820     | 6        |
| COLLAR,RR AXLE,L=21.5 (Ref # 92027)           | 92027-1902     | 1        |
| RING-SNAP,52MM (Ref # 92033)                  | 92033-1043     | 1        |
| SEAL-OIL,BJN28475 (Ref # 92049)               | 92049-1056     | 1        |
| SEAL-OIL,TWC35527 (Ref # 92052)               | 92052-006      | 1        |
| COLLAR,RR AXLE,LH,L=38.6 (Ref # 92152)        | 92152-0350     | 1        |
| COLLAR,REAR BRAKE DRUM,L=166.4 (Ref # 92152A) | 92152-0351     | 1        |
| BOLT,SOCKET,6X12 (Ref # 92153)                | 92153-1525     | 6        |
| DAMPER,SHOCK,RR HUB (Ref # 92161)             | 92161-0466     | 4        |
| NUT,LOCK,FLANGED,10MM (Ref # 92210)           | 92210-0276     | 6        |
| NUT,CASTLE,18MM (Ref # 92210A)                | 92210-1134     | 1        |