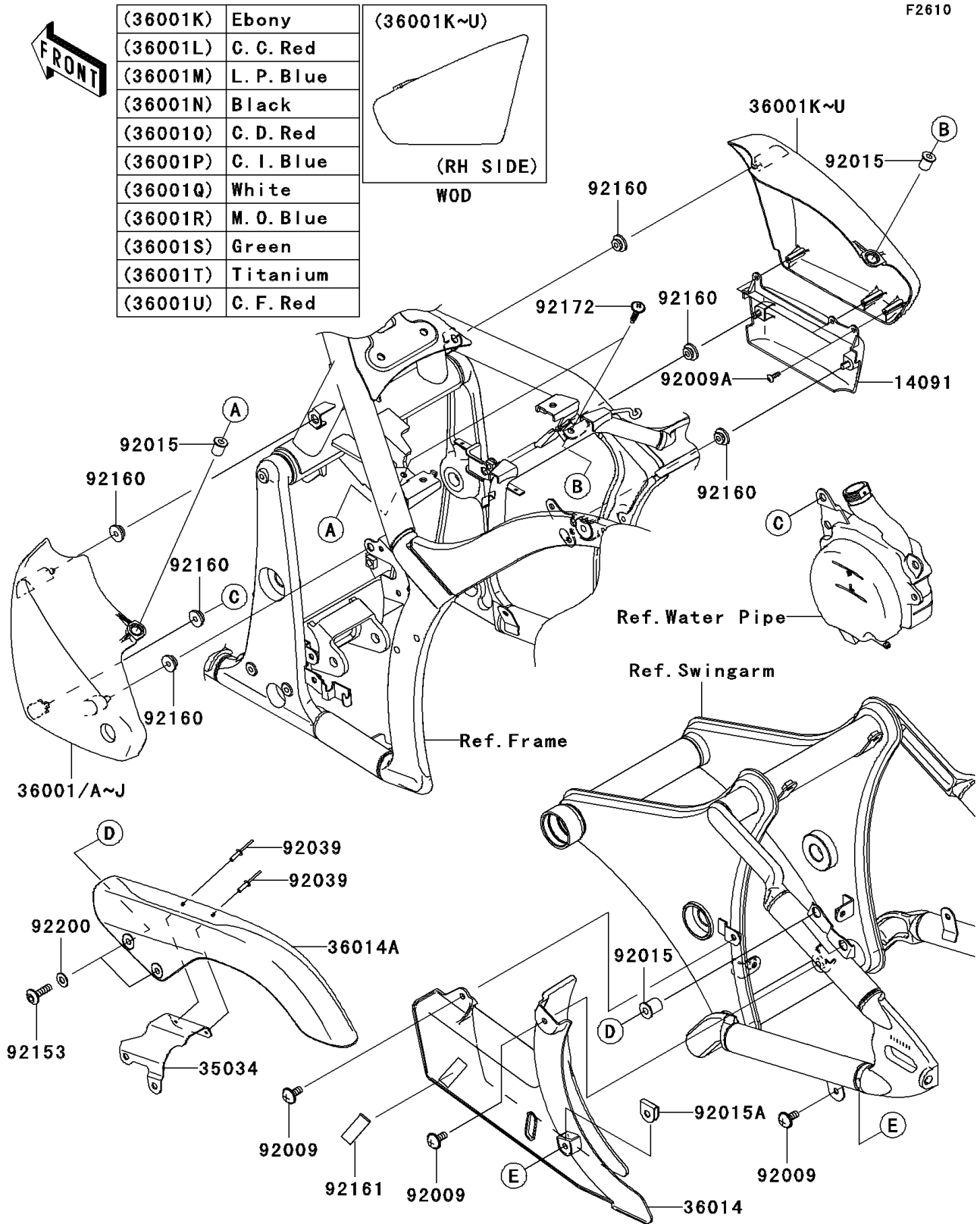


# 2008 Vulcan® 900 Classic LT PARTS DIAGRAM

Side Covers/Chain Cover



## 2008 Vulcan® 900 Classic LT PARTS LIST

### Side Covers/Chain Cover

ITEM NAME	PART NUMBER	QUANTITY
COVER,SIDE COVER,RH (Ref # 14091)	14091-0641	1
REINFORCE (Ref # 35034)	35034-0082	1
COVER-SIDE,LH,C.C.RED (Ref # 36001A)	36001-0081-L1	1
COVER-SIDE,LH,L.P.BLUE (Ref # 36001B)	36001-0081-M4	1
COVER-SIDE,LH,P.C.WHITE (Ref # 36001F)	36001-0081-667	1
COVER-SIDE,RH,C.C.RED (Ref # 36001L)	36001-0082-L1	1
COVER-SIDE,RH,L.P.BLUE (Ref # 36001M)	36001-0082-M4	1
COVER-SIDE,RH,P.C.WHITE (Ref # 36001Q)	36001-0082-667	1
CASE-CHAIN,LWR (Ref # 36014)	36014-0031	1
CASE-CHAIN,UPP (Ref # 36014A)	36014-0032	1
SCREW,6X14 (Ref # 92009)	92009-1662	3
SCREW,TAPPING,4X14 (Ref # 92009A)	92009-1792	3
NUT (Ref # 92015)	92015-1700	4
NUT,CLIP,6MM (Ref # 92015A)	92015-1904	1
RIVET (Ref # 92039)	92039-1251	2
BOLT,SOCKET,6X22 (Ref # 92153)	92153-1356	2
DAMPER (Ref # 92160)	92160-1613	6
DAMPER (Ref # 92161)	92161-0124	1
SCREW,6X26 (Ref # 92172)	92172-0137	2
WASHER,6.5X14X1 (Ref # 92200)	92200-1388	2