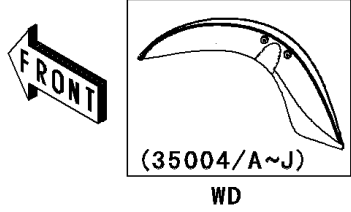


2008 Vulcan® 900 Classic LT PARTS DIAGRAM

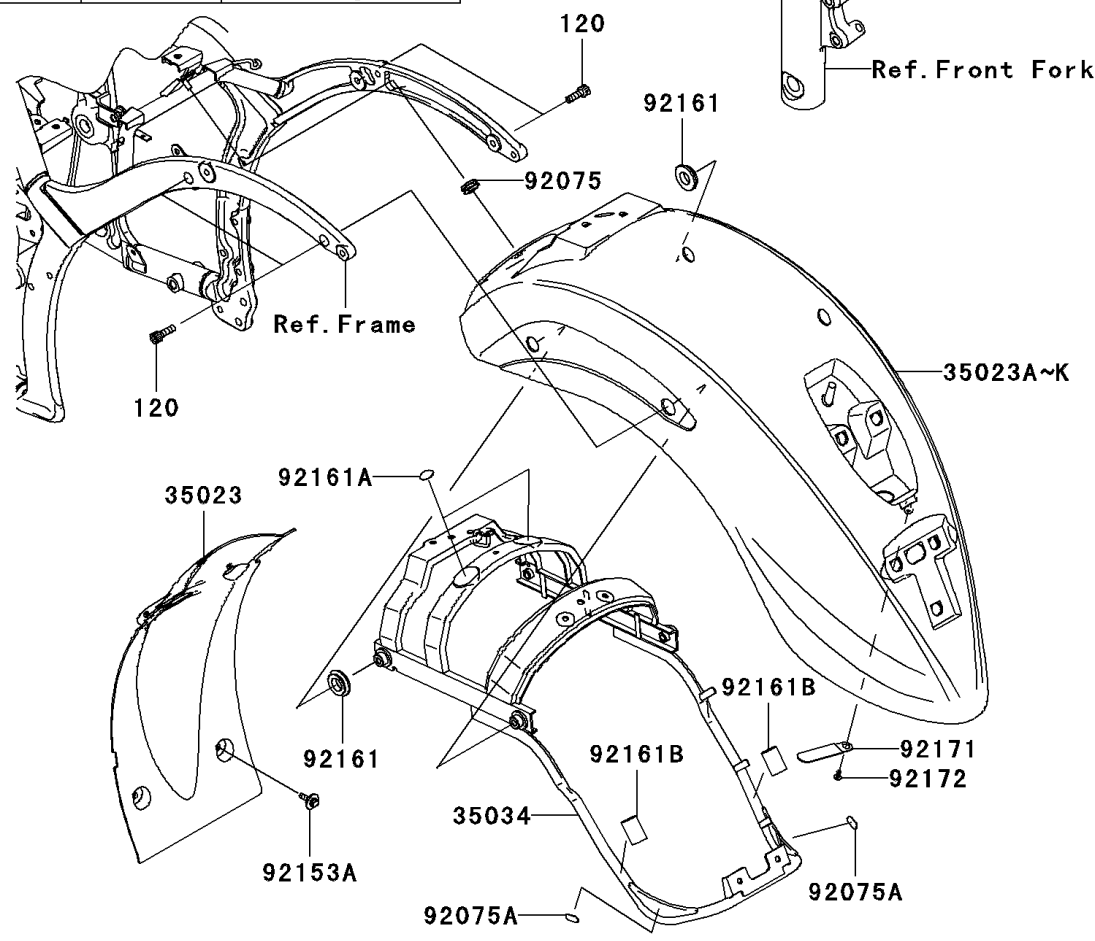
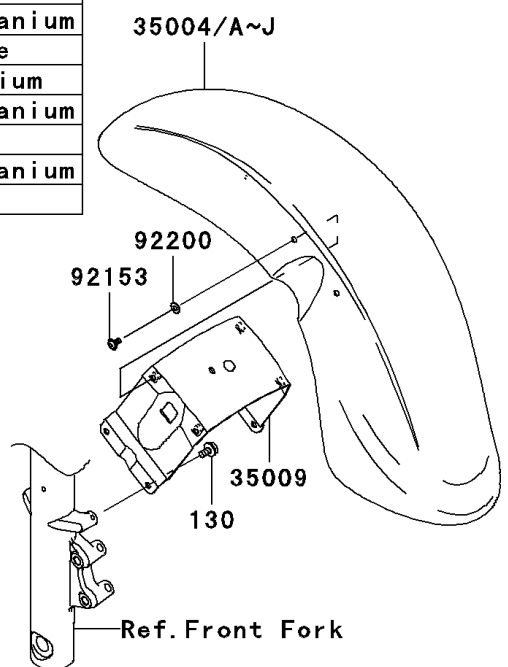
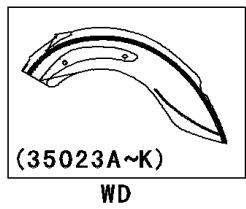
Fenders(JKAVN2D1 7A011497-)

F2170A



(' 07)	(35004)	Silver/Ebony
	(35004A)	Red/Titanium
(' 08)	(35004B)	Red/Black
	(35004C)	Blue/Silver
(' 09)	(35004D)	White/Titanium
	(35004E)	Black/Blue
	(35004F)	Red/Titanium
(' 10)	(35004G)	White/Titanium
	(35004H)	Red/Ebony
	(35004I)	Green/Titanium
	(35004J)	Blue/Gray

(' 07)	(35023A)	Silver/Ebony
	(35023B)	Red/Titanium
(' 08)	(35023C)	Red/Black
	(35023D)	Blue/Silver
(' 09)	(35023E)	White/Titanium
	(35004F)	Black/Blue
(' 09)	(35023G)	Red/Titanium
	(35023H)	White/Titanium
(' 10)	(35023I)	Red/Ebony
	(35023J)	Green/Titanium
	(35023K)	Blue/Gray



2008 Vulcan® 900 Classic LT PARTS LIST

Fenders(JKAVN2D1 7A011497-)

ITEM NAME	PART NUMBER	QUANTITY
FENDER-FRONT,RED/BLACK (Ref # 35004B)	35004-5272-18W	1
FENDER-FRONT,BLUE/SILVER (Ref # 35004C)	35004-5276-18V	1
FENDER-FRONT,WHITE/TITANIUM (Ref # 35004D)	35004-5277-11T	1
BRACE,FRONT FENDER (Ref # 35009)	35009-0014	1
FENDER-REAR,INNER (Ref # 35023)	35023-0073	1
FENDER-REAR,RED/BLACK (Ref # 35023C)	35023-5139-18W	1
FENDER-REAR,BLUE/SILVER (Ref # 35023D)	35023-5140-18V	1
FENDER-REAR,WHITE/TITANIUM (Ref # 35023E)	35023-5141-11T	1
REINFORCE,REAR FENDER (Ref # 35034)	35034-0090	1
DAMPER (Ref # 92075)	92075-1067	1
BOLT-SOCKET,8X25 (Ref # 120)	120CA0825	4
BOLT-FLANGED,8X14 (Ref # 130)	130BB0814	4
DAMPER (Ref # 92075A)	92075-1841	2
BOLT,SOCKET,6X16 (Ref # 92153)	92153-0817	4
BOLT,6X20 (Ref # 92153A)	92153-1599	4
DAMPER (Ref # 92161)	92161-0375	2
DAMPER (Ref # 92161A)	92161-0406	2
DAMPER (Ref # 92161B)	92161-0459	2
CLAMP (Ref # 92171)	92171-0181	1
SCREW,TAPPING,4X10 (Ref # 92172)	92172-0172	1
WASHER,6.5X14X1 (Ref # 92200)	92200-1388	4