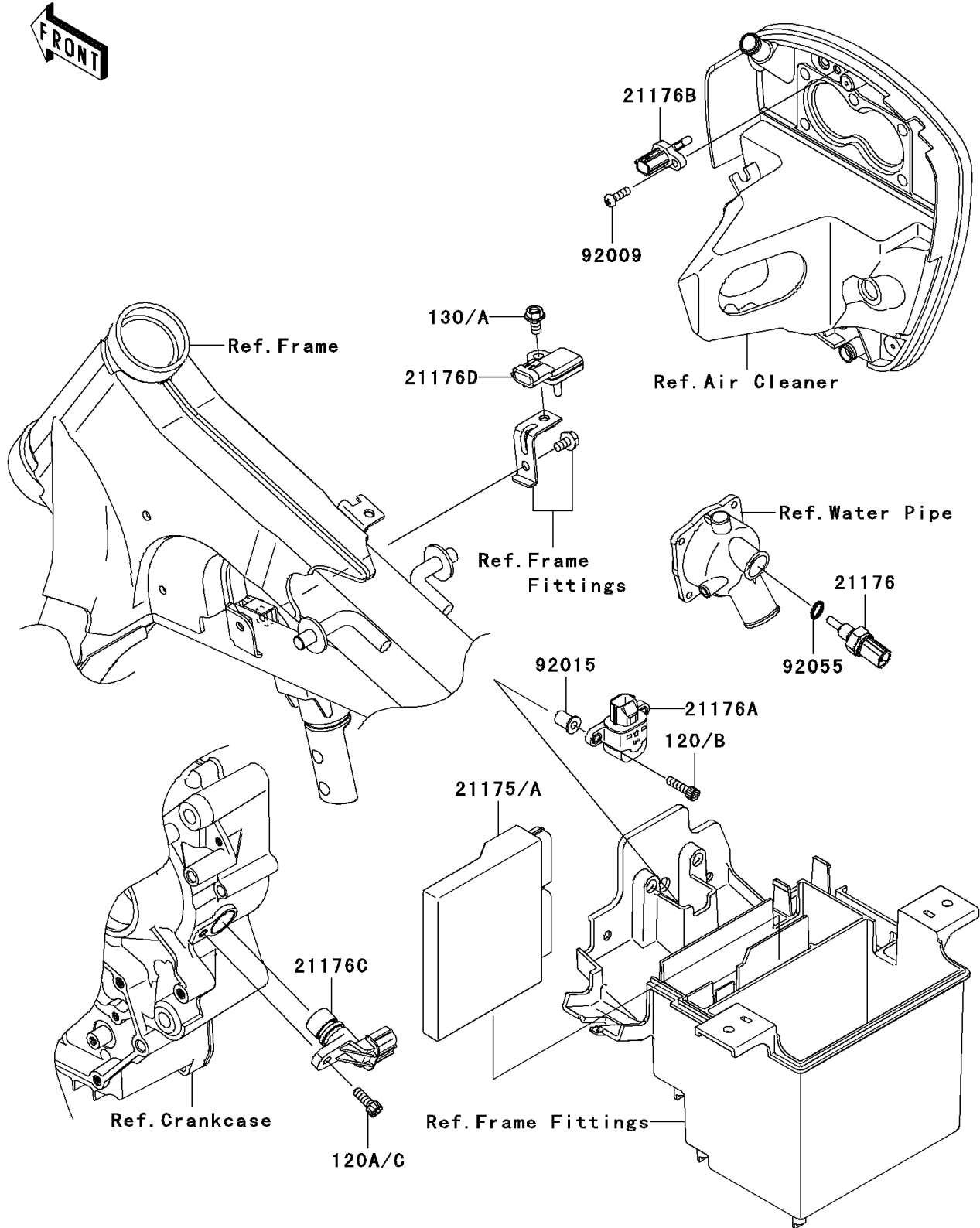


2008 Vulcan® 900 Classic LT PARTS DIAGRAM

Fuel Injection

E1530



2008 Vulcan® 900 Classic LT PARTS LIST

Fuel Injection

ITEM NAME	PART NUMBER	QUANTITY
BOLT-SOCKET,5X20 (Ref # 120B)	120CB0520	2
BOLT-SOCKET,6X16 (Ref # 120C)	120CB0616	1
BOLT-FLANGED,6X12 (Ref # 130A)	130BB0612	1
SENSOR,WATER TEMP (Ref # 21176)	21176-0009	1
SENSOR (Ref # 21176A)	21176-0025	1
SENSOR,AIR TEMPERATURE (Ref # 21176B)	21176-0048	1
SENSOR,SPEED (Ref # 21176C)	21176-0054	1
SENSOR,PRESSURE (Ref # 21176D)	21176-0058	1
SCREW,TAPPING,5X16 (Ref # 92009)	92009-1984	1
NUT,WELL,5MM (Ref # 92015)	92015-1757	2
RING-O,9.5X1.9 (Ref # 92055)	92055-0016	1
CONTROL UNIT-ELECTRONIC (Ref # 21175)	21175-0133	1
CONTROL UNIT-ELECTRONIC (Ref # 21175A)	21175-0146	1