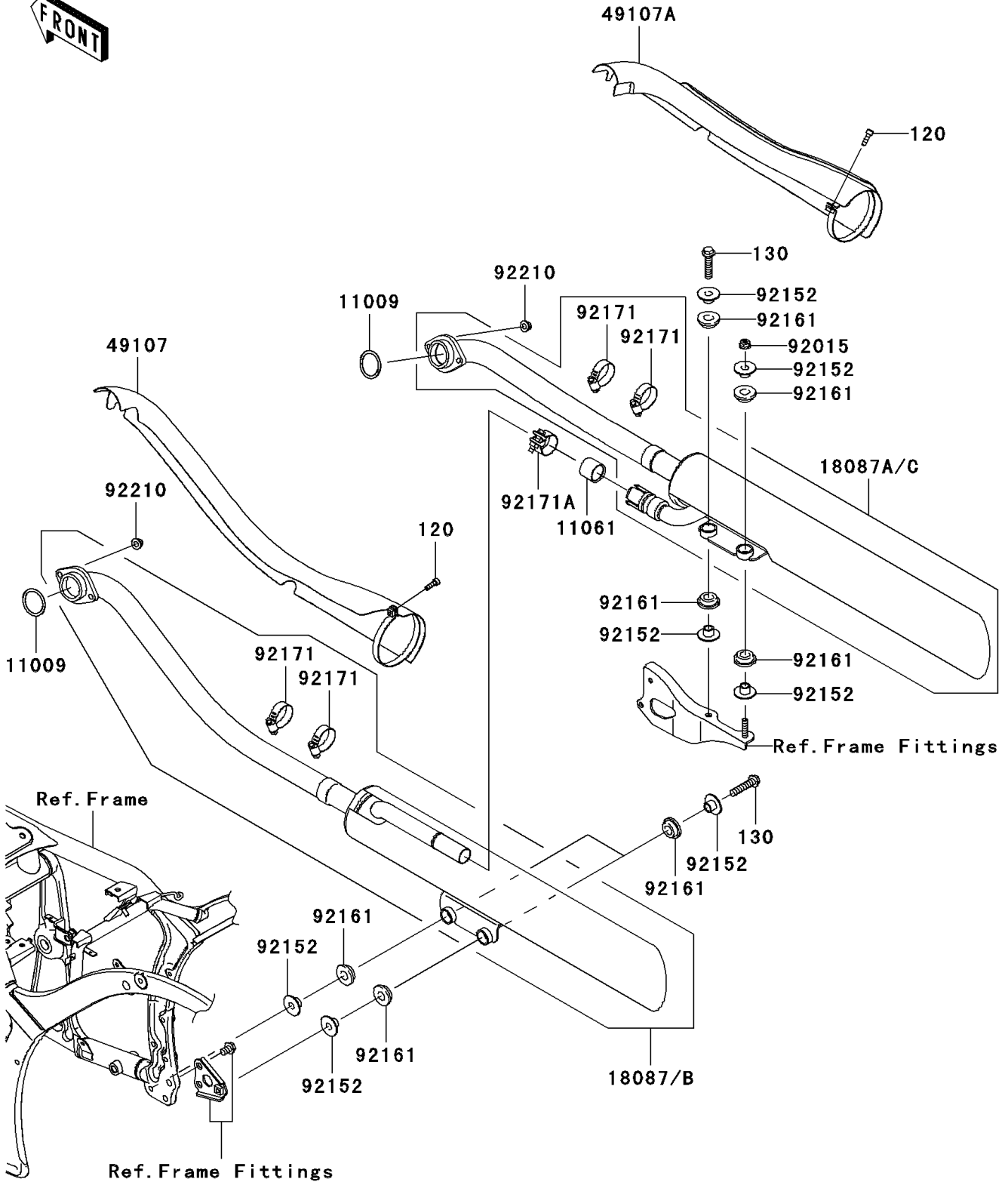


2008 Vulcan® 900 Classic LT PARTS DIAGRAM

Muffler(s)

E1140



2008 Vulcan® 900 Classic LT PARTS LIST

Muffler(s)

ITEM NAME	PART NUMBER	QUANTITY
BOLT-SOCKET,6X20 (Ref # 120)	120CC0620	2
BOLT-FLANGED,8X35 (Ref # 130)	130BB0835	3
GASKET,EXHAUST PIPE HOLDER (Ref # 11009)	11009-1856	2
GASKET,MUFFLER JOINT (Ref # 11061)	11061-0207	1
COVER-EXHAUST PIPE (Ref # 49107)	49107-0087	1
COVER-EXHAUST PIPE (Ref # 49107A)	49107-0106	1
NUT,8MM (Ref # 92015)	92015-1357	1
COLLAR,8.8X12X10.6 (Ref # 92152)	92152-0082	8
DAMPER (Ref # 92161)	92161-0135	8
CLAMP (Ref # 92171)	92171-0059	4
CLAMP (Ref # 92171A)	92171-0593	1
NUT,CAP,8MM (Ref # 92210)	92210-1132	4
MUFFLER,FR (Ref # 18087)	18087-0116	1
MUFFLER,RR (Ref # 18087A)	18087-0123	1
MUFFLER,FR (Ref # 18087B)	18087-0143	1
MUFFLER,RR (Ref # 18087C)	18087-0144	1