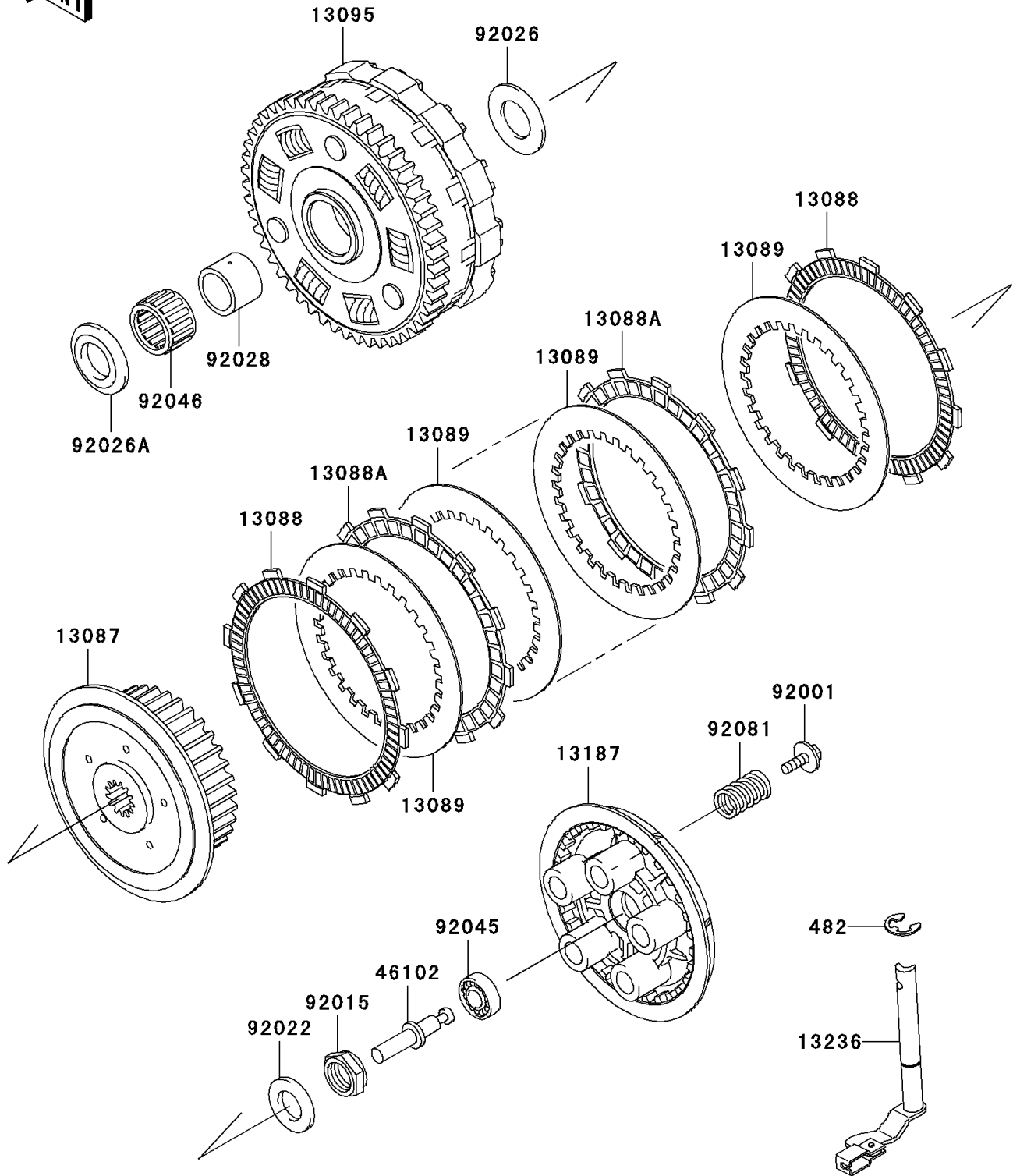


2006 Vulcan 900 Classic PARTS DIAGRAM

Clutch

E1350



2006 Vulcan 900 Classic PARTS LIST

Clutch

| ITEM NAME | PART NUMBER | QUANTITY |
|---|-------------|----------|
| CIRCLIP-TYPE-E,10MM (Ref # 482) | 482J0100 | 1 |
| HUB-CLUTCH (Ref # 13087) | 13087-0042 | 1 |
| PLATE-FRICTION (Ref # 13088) | 13088-0023 | 2 |
| PLATE-FRICTION (Ref # 13088A) | 13088-1133 | 6 |
| PLATE-CLUTCH (Ref # 13089) | 13089-027 | 7 |
| HOUSING-COMP-CLUTCH (Ref # 13095) | 13095-0054 | 1 |
| PLATE-CLUTCH OPERATING (Ref # 13187) | 13187-1006 | 1 |
| LEVER-COMP,CLUTCH RELEASE (Ref # 13236) | 13236-1269 | 1 |
| ROD,PULL (Ref # 46102) | 46102-1374 | 1 |
| BOLT,FLANGED,6X18 (Ref # 92001) | 92001-1066 | 5 |
| NUT,20MM (Ref # 92015) | 92015-1555 | 1 |
| WASHER,20.3X36X3.7 (Ref # 92022) | 92022-1868 | 1 |
| SPACER,25.5X47X2.5 (Ref # 92026) | 92026-022 | 1 |
| SPACER,THRUST,T=5.5 (Ref # 92026A) | 92026-116 | 1 |
| BUSHING,25X32X23.6 (Ref # 92028) | 92028-178 | 1 |
| BEARING-BALL,6001C3ML01 (Ref # 92045) | 92045-1235 | 1 |
| BEARING-NEEDLE,KTV323723 (Ref # 92046) | 92046-028 | 1 |
| SPRING,CLUTCH (Ref # 92081) | 92081-1033 | 5 |