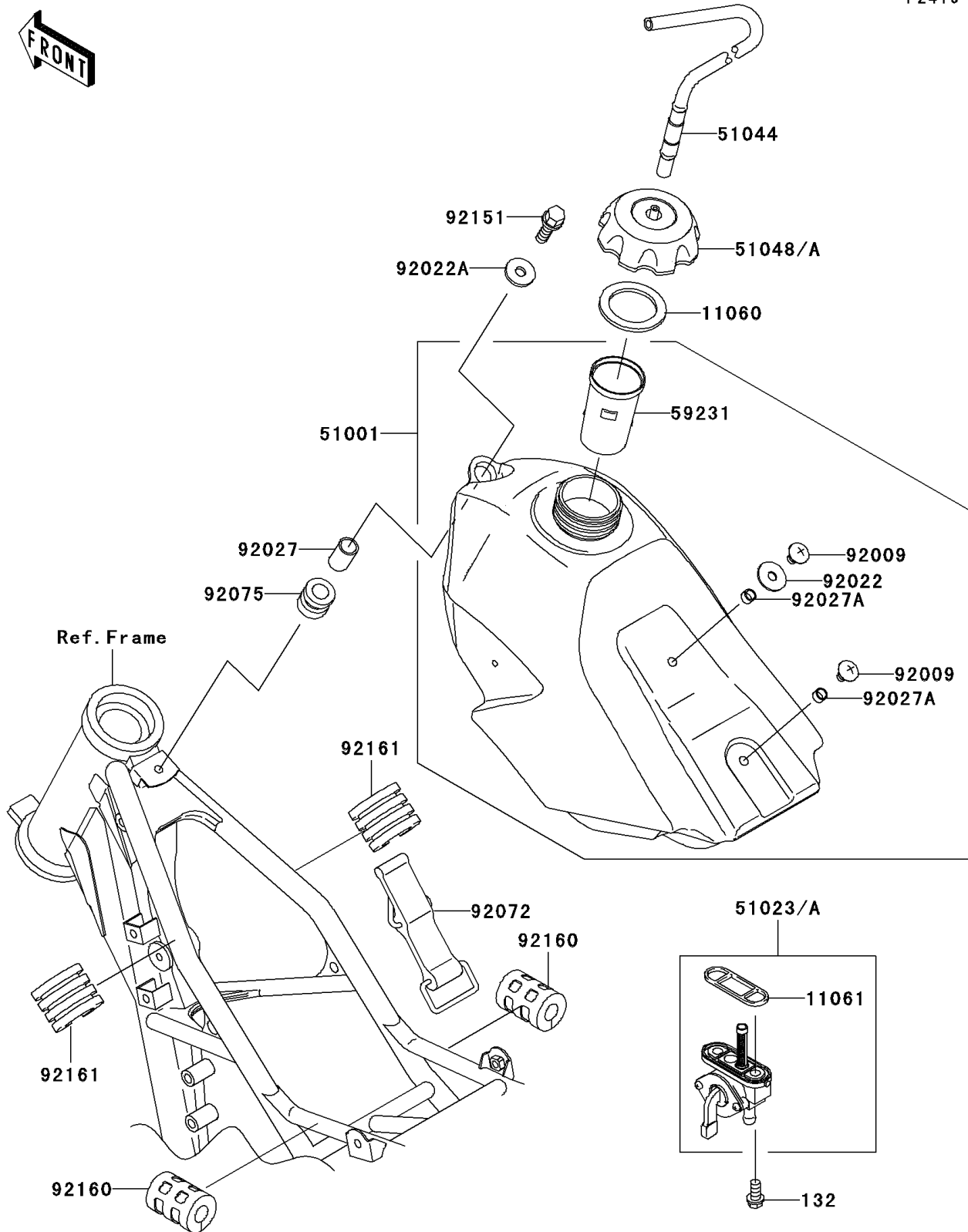


## 2009 KX85 PARTS DIAGRAM

Fuel Tank

F2410



## 2009 KX85 PARTS LIST

Fuel Tank

| ITEM NAME                             | PART NUMBER   | QUANTITY |
|---------------------------------------|---------------|----------|
| BOLT-FLANGED-SMALL,6X12 (Ref # 132)   | 132BA0612     | 1        |
| GASKET,FUEL TANK CAP (Ref # 11060)    | 11060-1340    | 1        |
| GASKET,FUEL TAP (Ref # 11061)         | 11061-0181    | 1        |
| TANK-COMP-FUEL,F.BLACK (Ref # 51001)  | 51001-1677-6Z | 1        |
| TAP-ASSY,FUEL (Ref # 51023A)          | 51023-0024    | 1        |
| TUBE-ASSY (Ref # 51044)               | 51044-0025    | 1        |
| CAP-ASSY-TANK,FUEL (Ref # 51048)      | 51048-0014    | 1        |
| FILLER (Ref # 59231)                  | 59231-1096    | 1        |
| SCREW,6X10 (Ref # 92009)              | 92009-1530    | 1        |
| WASHER,PLAIN,6MM (Ref # 92022)        | 92022-165     | 1        |
| WASHER,6.5X24X2 (Ref # 92022A)        | 92022-1690    | 1        |
| COLLAR,6.8X10X14 (Ref # 92027)        | 92027-1966    | 1        |
| COLLAR,6.2X7.8X5 (Ref # 92027A)       | 92027-2096    | 1        |
| BAND,FUEL TANK (Ref # 92072)          | 92072-1229    | 1        |
| DAMPER (Ref # 92075)                  | 92075-1787    | 1        |
| BOLT,FLANGED-SMALL,6X25 (Ref # 92151) | 92151-1930    | 1        |
| DAMPER,FUEL TANK (Ref # 92160)        | 92160-1236    | 1        |
| DAMPER,FUEL TANK (Ref # 92161)        | 92161-1175    | 1        |