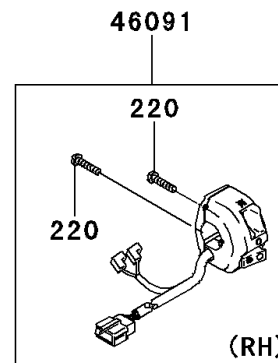
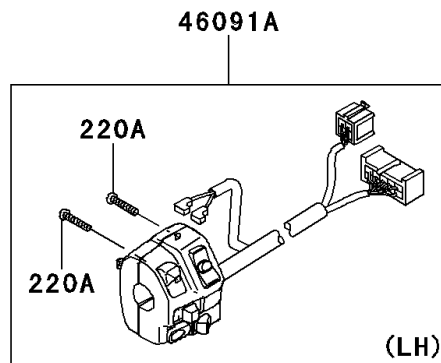
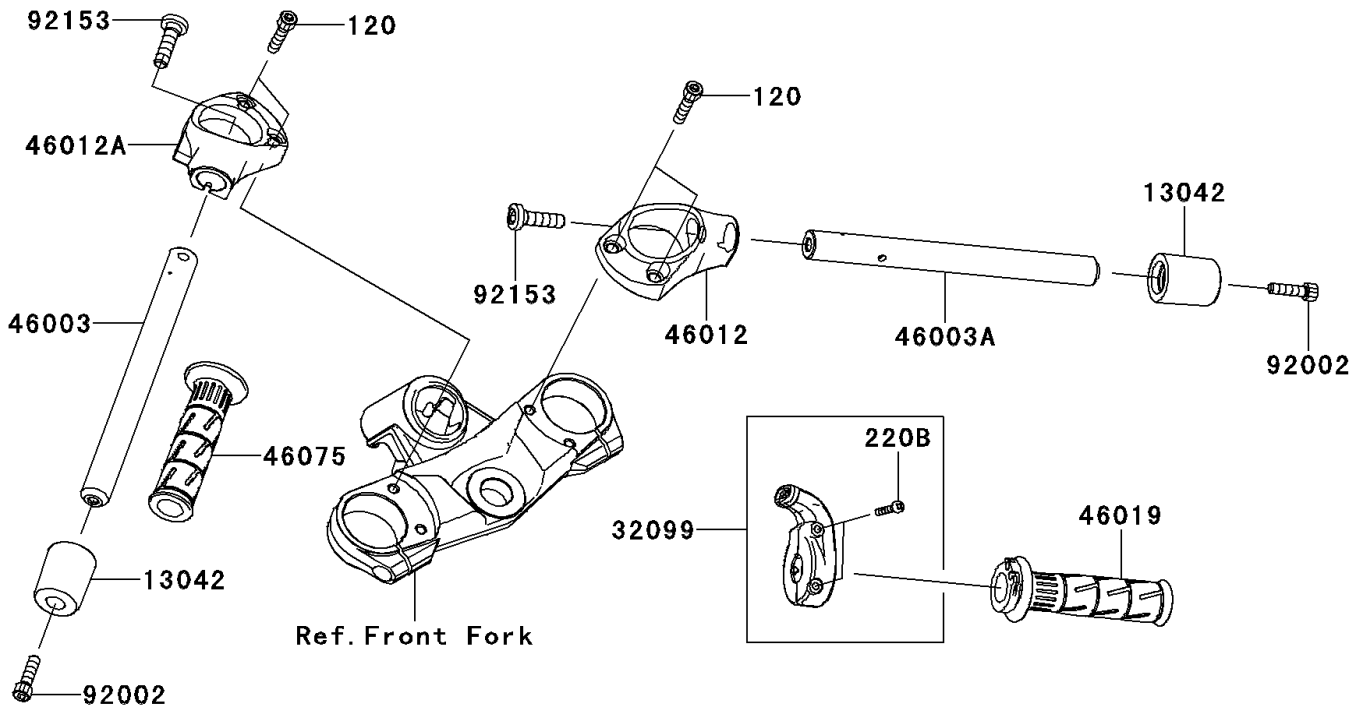


2013 NINJA® ZX™ -14R ABS PARTS DIAGRAM

Handlebar

F2310



2013 NINJA® ZX™ -14R ABS PARTS LIST

Handlebar

ITEM NAME	PART NUMBER	QUANTITY
BOLT-SOCKET,8X35 (Ref # 120)	120R0835	4
SCREW-PAN-CROS,5X22 (Ref # 220)	220AB0522	2
SCREW-PAN-CROS,5X25 (Ref # 220A)	220AB0525	2
SCREW-PAN-CROS,5X35 (Ref # 220B)	220AB0535	2
WEIGHT,HANDLE (Ref # 13042)	13042-5006	2
CASE,THROTTLE (Ref # 32099)	32099-0049	1
HANDLE,LH (Ref # 46003)	46003-0564	1
HANDLE,RH (Ref # 46003A)	46003-0565	1
HOLDER-HANDLE,RH (Ref # 46012)	46012-0316	1
HOLDER-HANDLE,LH (Ref # 46012A)	46012-0317	1
GRIP-ASSY,THROTTLE (Ref # 46019)	46019-0001	1
GRIP,HANDLE,LH (Ref # 46075)	46075-1144	1
HOUSING-ASSY-CONTROL,RH (Ref # 46091)	46091-0145	1
HOUSING-ASSY-CONTROL,LH (Ref # 46091A)	46091-0241	1
BOLT,SOCKET,8X30 (Ref # 92002)	92002-1844	2
BOLT,SOCKET,10X37 (Ref # 92153)	92153-1440	2