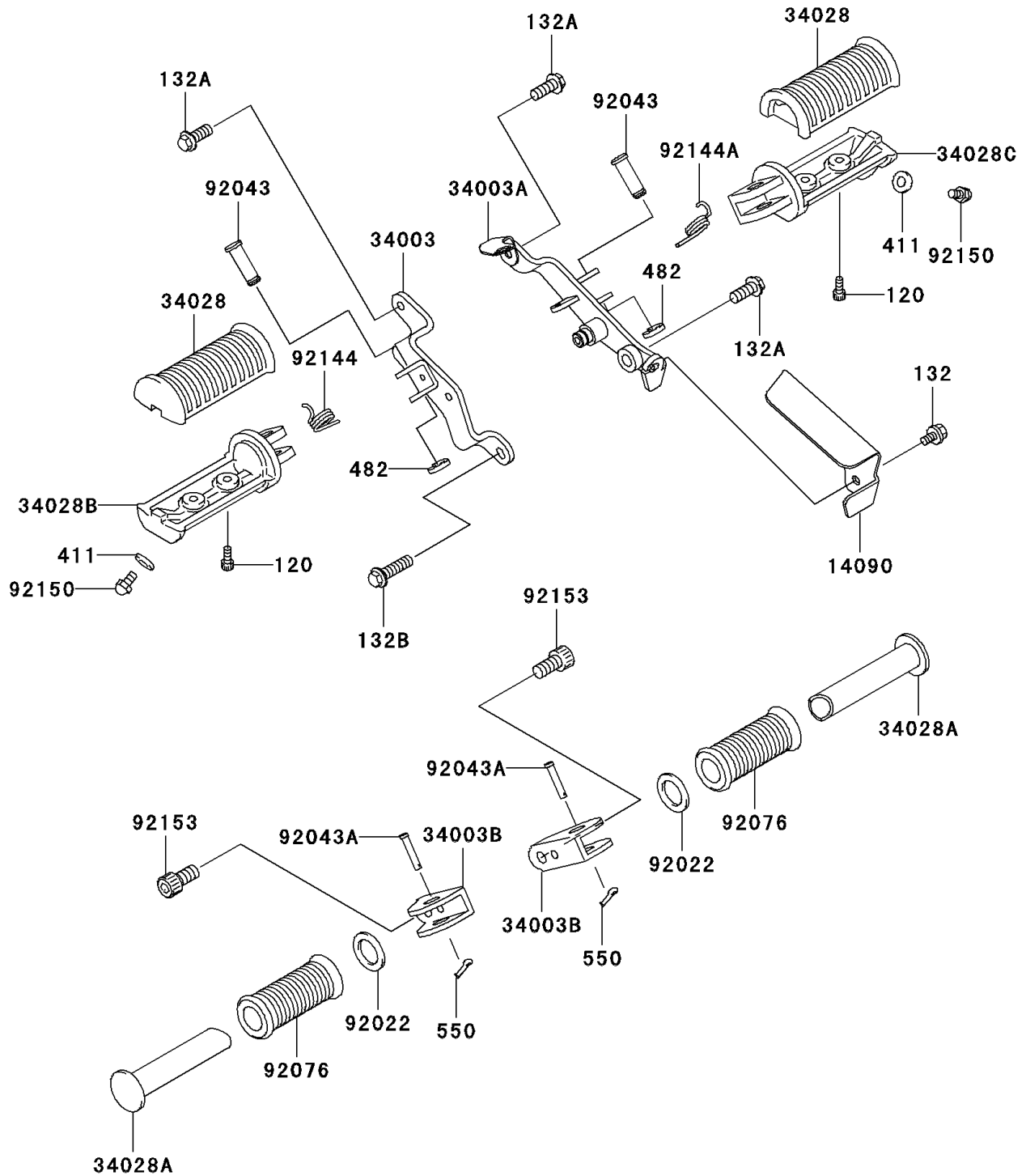


# 2007 Eliminator 125 PARTS DIAGRAM

Footrests

F2160



## 2007 Eliminator 125 PARTS LIST

### Footrests

ITEM NAME	PART NUMBER	QUANTITY
BOLT-SOCKET,5X12 (Ref # 120)	120CB0512	4
BOLT-FLANGED-SMALL,6X10 (Ref # 132)	132BB0610	1
BOLT-FLANGED-SMALL,8X20 (Ref # 132A)	132BB0820	3
BOLT-FLANGED-SMALL,8X30 (Ref # 132B)	132BB0830	1
WASHER-PLAIN,6.5X13X1 (Ref # 411)	411AB0600	2
CIRCLIP-TYPE-E,10MM (Ref # 482)	482EA0100	2
PIN-COTTER,2.0X18 (Ref # 550)	550AA2018	2
COVER,CABLE (Ref # 14090)	14090-1937	1
HOLDER-STEP,FR,LH (Ref # 34003)	34003-1464	1
HOLDER-STEP,FR,RH (Ref # 34003A)	34003-1465	1
HOLDER-STEP,RR (Ref # 34003B)	34003-1486	2
STEP,RUBBER (Ref # 34028)	34028-1372	2
STEP,RR (Ref # 34028A)	34028-1373	2
STEP,FR,LH (Ref # 34028B)	34028-1495	1
STEP,FR,RH (Ref # 34028C)	34028-1496	1
WASHER,20X30X2.3 (Ref # 92022)	92022-1568	2
PIN,12X37 (Ref # 92043)	92043-0025	2
PIN,6X30.5 (Ref # 92043A)	92043-1581	2
DAMPER (Ref # 92076)	92076-020	2
SPRING,STEP RETURN (Ref # 92144)	92144-1567	1
SPRING,STEP RETURN (Ref # 92144A)	92144-1568	1
BOLT,BANK SENSER (Ref # 92150)	92150-1153	2
BOLT,SOCKET,10X20 (Ref # 92153)	92153-0567	2