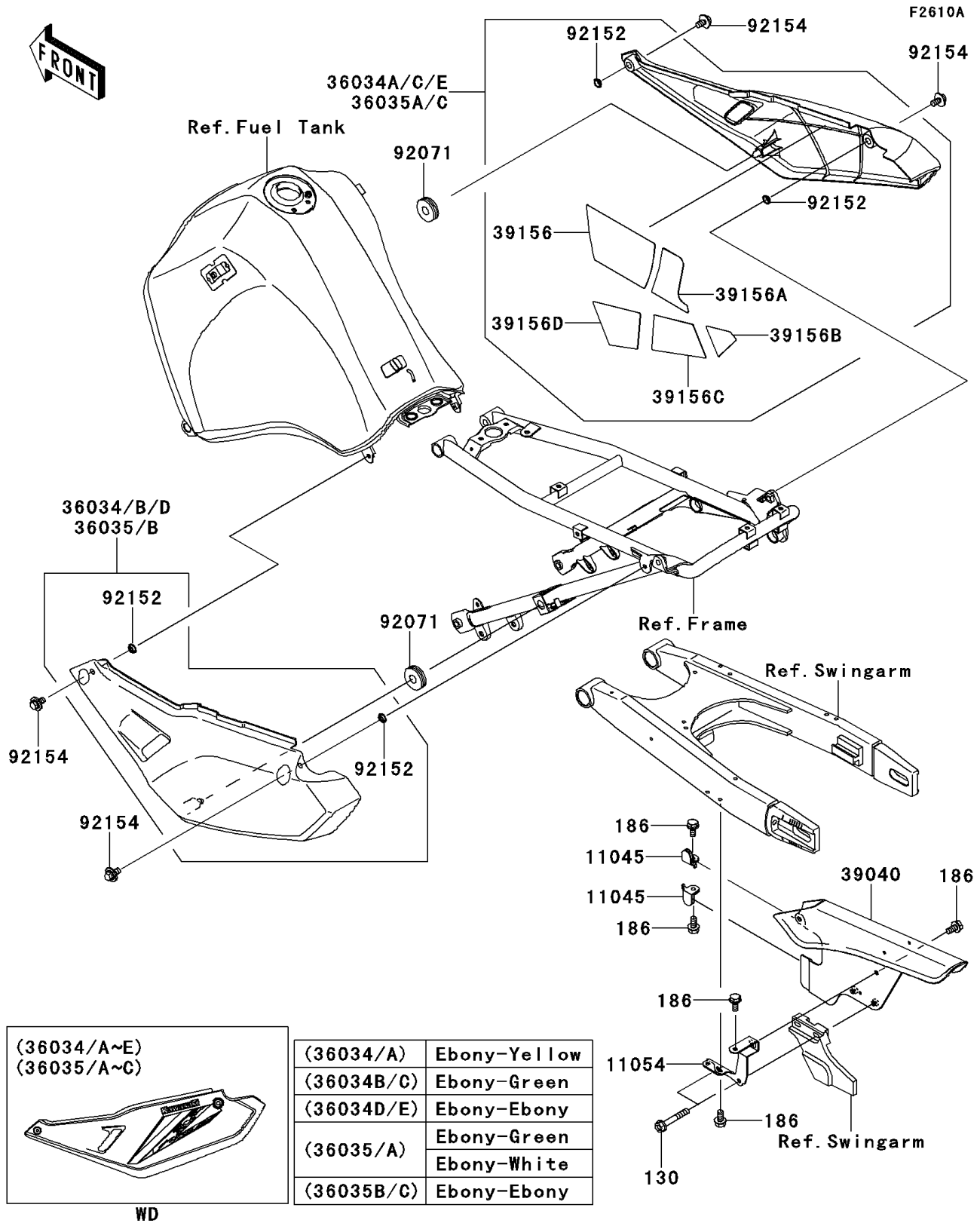


2014 KLR™650 PARTS DIAGRAM

Side Covers/Chain Cover(EDF/EEF)



2014 KLR™650 PARTS LIST

Side Covers/Chain Cover(EDF/EEF)

ITEM NAME	PART NUMBER	QUANTITY
BOLT-FLANGED,6X40 (Ref # 130)	130BA0640	1
BOLT-UPSET-WP,6X12 (Ref # 186)	186BA0612	1
BRACKET,CHAIN CASE,FR (Ref # 11045)	11045-1335	1
BRACKET,CHAIN CASE,RR (Ref # 11054)	11054-0390	1
COVER-SIDE-SUB,LH,EBONY (Ref # 36035)	36035-5072-6C	1
COVER-SIDE-SUB,RH,EBONY (Ref # 36035A)	36035-5073-6C	1
COVER-SIDE-SUB,LH,EBONY (Ref # 36035B)	36035-5074-6C	1
COVER-SIDE-SUB,RH,EBONY (Ref # 36035C)	36035-5075-6C	1
COVER-ASSY-CHAIN CASE (Ref # 39040)	39040-0003	1
PAD,SIDE COVER,RH,UPP,FR (Ref # 39156)	39156-0652	1
PAD,SIDE COVER,RH,UPP,RR (Ref # 39156A)	39156-0653	1
PAD,SIDE COVER,RH,LWR,RR (Ref # 39156B)	39156-0654	1
PAD,SIDE COVER,RH,LWR,CNT (Ref # 39156C)	39156-0655	1
PAD,SIDE COVER,RH,LWR,FR (Ref # 39156D)	39156-0656	1
GROMMET (Ref # 92071)	92071-056	1
COLLAR,8.8X11.2X4 (Ref # 92152)	92152-0909	1
BOLT,FLANGED,6X12 (Ref # 92154)	92154-0369	1