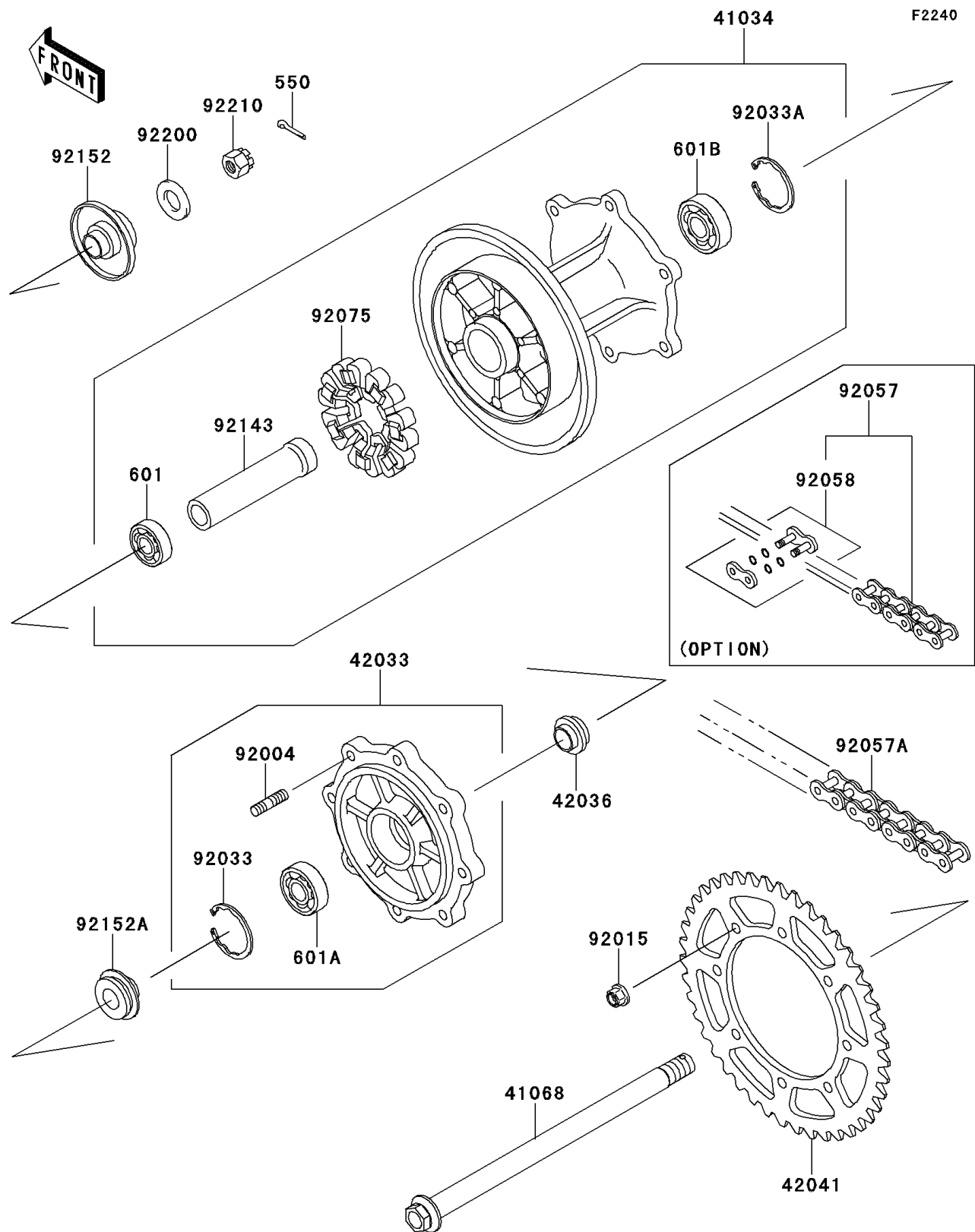


# 2011 KLR™ 650

## PARTS DIAGRAM

### Rear Hub(EBF)



# 2011 KLR™ 650

## PARTS LIST

### Rear Hub(EBF)

| ITEM NAME                                   | PART NUMBER   | QUANTITY |
|---|---------------|----------|
| PIN-COTTER,4.0X35 (Ref # 550)               | 550AA4035     | 1        |
| BEARING-BALL,#6003G (Ref # 601)             | 601B6003G     | 1        |
| BEARING-BALL,#6004UG (Ref # 601A)           | 601B6004UG    | 1        |
| BEARING-BALL,#6204UG (Ref # 601B)           | 601B6204UG    | 1        |
| DRUM-ASSY,REAR BRAKE,F.BLACK (Ref # 41034)  | 41034-0041-21 | 1        |
| AXLE,RR (Ref # 41068)                       | 41068-0056    | 1        |
| COUPLING-ASSY,REAR HUB (Ref # 42033)        | 42033-1112    | 1        |
| SLEEVE (Ref # 42036)                        | 42036-0074    | 1        |
| SPROCKET-HUB,43T (Ref # 42041)              | 42041-0090    | 1        |
| STUD,8X16 (Ref # 92004)                     | 92004-1150    | 8        |
| NUT,8MM (Ref # 92015)                       | 92015-1432    | 8        |
| RING-SNAP,42MM (Ref # 92033)                | 92033-1041    | 1        |
| RING-SNAP,47MM (Ref # 92033A)               | 92033-1042    | 1        |
| CHAIN,DRIVE,EK520SR-O2X106L (Ref # 92057)   | 92057-0019    | 1        |
| CHAIN,DRIVE,DID520VP2-TX106L (Ref # 92057A) | 92057-0207    | 1        |
| JOINT-CHAIN,DRIVE (Ref # 92058)             | 92058-1102    | 1        |
| DAMPER,SHOCK,RR HUB (Ref # 92075)           | 92075-1068    | 1        |
| COLLAR,REAR BRAKE DRUM,L=113 (Ref # 92143)  | 92143-1060    | 1        |
| COLLAR,L=30MM (Ref # 92152)                 | 92152-0851    | 1        |
| COLLAR,L=17MM (Ref # 92152A)                | 92152-0852    | 1        |
| WASHER,17.3X32X3.2 (Ref # 92200)            | 92200-0563    | 1        |
| NUT,CASTLE,16MM (Ref # 92210)               | 92210-1171    | 1        |