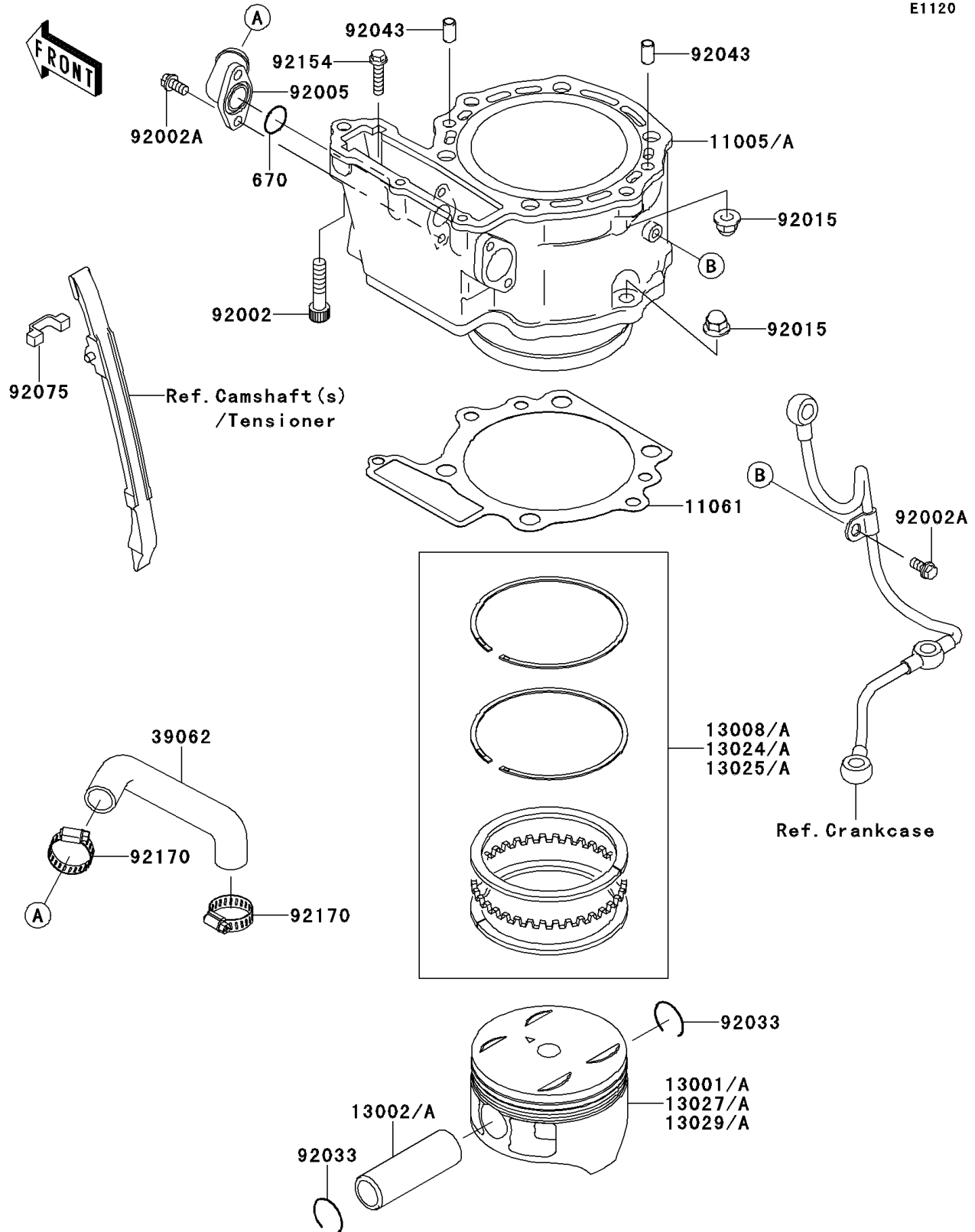


2014 KLR™650 PARTS DIAGRAM

Cylinder/Piston(s)

E1120



2014 KLR™650 PARTS LIST

Cylinder/Piston(s)

ITEM NAME	PART NUMBER	QUANTITY
O RING,18MM (Ref # 670)	670B2018	1
CYLINDER-ENGINE (Ref # 11005A)	11005-0584	1
GASKET,CYLINDER BASE (Ref # 11061)	11061-0428	1
PISTON-ENGINE (Ref # 13001A)	13001-0723	1
PIN-PISTON (Ref # 13002)	13002-0707	1
RING-SET-PISTON (Ref # 13008A)	13008-0554	1
RING-SET-PISTON LL,O/S 1.00 (Ref # 13024A)	13024-0552	1
RING-SET-PISTON L,O/S 0.50 (Ref # 13025A)	13025-0055	1
PISTON-ENGINE LL,O/S 1.00 (Ref # 13027A)	13027-0055	1
PISTON-ENGINE L,O/S 0.50 (Ref # 13029A)	13029-0707	1
HOSE-COOLING,W/P-CYLINDER (Ref # 39062)	39062-0150	1
BOLT,SOCKET,8X35 (Ref # 92002)	92002-1409	1
BOLT,6X12 (Ref # 92002A)	92002-1569	1
FITTING (Ref # 92005)	92005-1122	1
NUT,CAP,8MM (Ref # 92015)	92015-1982	1
RING-SNAP (Ref # 92033)	92033-1226	1
PIN,6.2X8X14 (Ref # 92043)	92043-1263	1
DAMPER (Ref # 92075)	92075-1968	1
BOLT,FLANGED,6X25 (Ref # 92154)	92154-1212	1
CLAMP,COOLING HOSE (Ref # 92170)	92170-1033	1