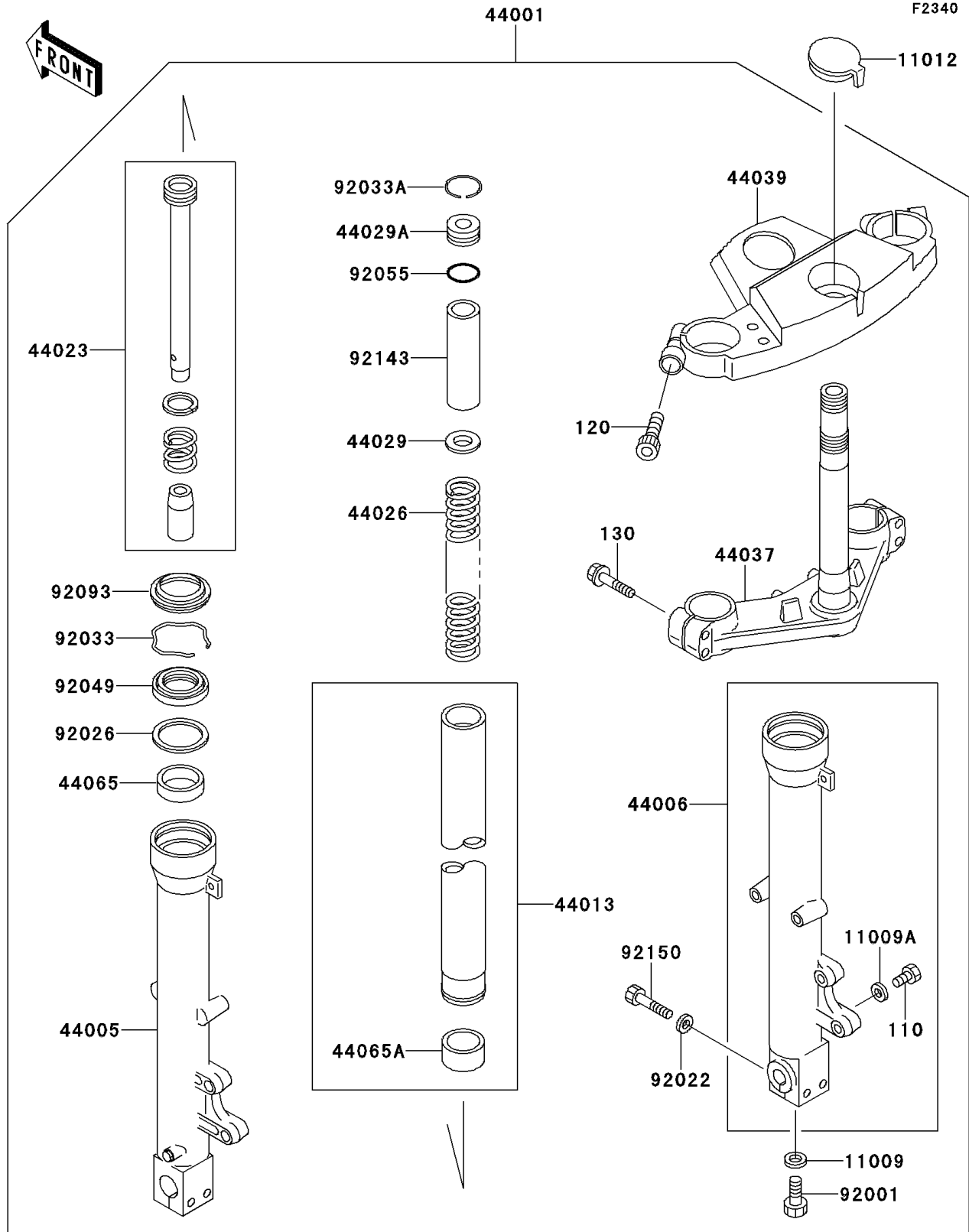


# 1990 Ninja® ZX™-6 PARTS DIAGRAM

Front Fork



# 1990 Ninja® ZX™-6 PARTS LIST

## Front Fork

ITEM NAME	PART NUMBER	QUANTITY
BOLT,6X8 (Ref # 110)	110B0608	2
BOLT-SOCKET,8X40 (Ref # 120)	120P0840	2
BOLT-FLANGED,8X40 (Ref # 130)	130J0840	4
GASKET,FORK CYLINDER BOLT (Ref # 11009)	44045-051	2
GASKET,DRAIN PLUG (Ref # 11009A)	44045-052	2
CAP,FORK,G.GRAY (Ref # 11012)	11012-1733-GD	1
FORK-FRONT,BLACK (Ref # 44001)	44001-1757-10	1
PIPE-LEFT FORK OUTER,BLACK (Ref # 44005)	44005-1303-10	1
PIPE-RIGHT FORK OUTER,BLACK (Ref # 44006)	44006-1299-10	1
PIPE-FORK INNER (Ref # 44013)	44013-1323	2
CYLINDER-COMP-FORK (Ref # 44023)	44023-1072	2
SPRING-FRONT FORK (Ref # 44026)	44026-1468	2
SEAT-FORK SPRING (Ref # 44029)	44029-1131	2
SEAT-FORK SPRING (Ref # 44029A)	44029-1143	2
HOLDER-FORK UNDER (Ref # 44037)	44037-1264	1
HOLDER-FORK UPPER,G.GRAY (Ref # 44039)	44039-1197-GD	1
BUSHING-FRONT FORK (Ref # 44065)	44065-1079	2
BUSHING-FRONT FORK,INNER PIPE (Ref # 44065A)	44065-1087	2
BOLT,FORK CYLINDER (Ref # 92001)	92001-1464	2
WASHER (Ref # 92022)	92022-1969	4
SPACER,FORK OUTER (Ref # 92026)	92026-1276	2
RING-SNAP,FORK OUTER (Ref # 92033)	92033-1222	2
RING-SNAP (Ref # 92033A)	92033-1273	2
SEAL-OIL,FORK (Ref # 92049)	92049-1363	2
RING-O,FORK TOP (Ref # 92055)	92055-1420	2
SEAL,FORK (Ref # 92093)	92093-1268	2
COLLAR,FORK (Ref # 92143)	92143-1434	2
BOLT,SOCKET,8MM (Ref # 92150)	92150-1183	4