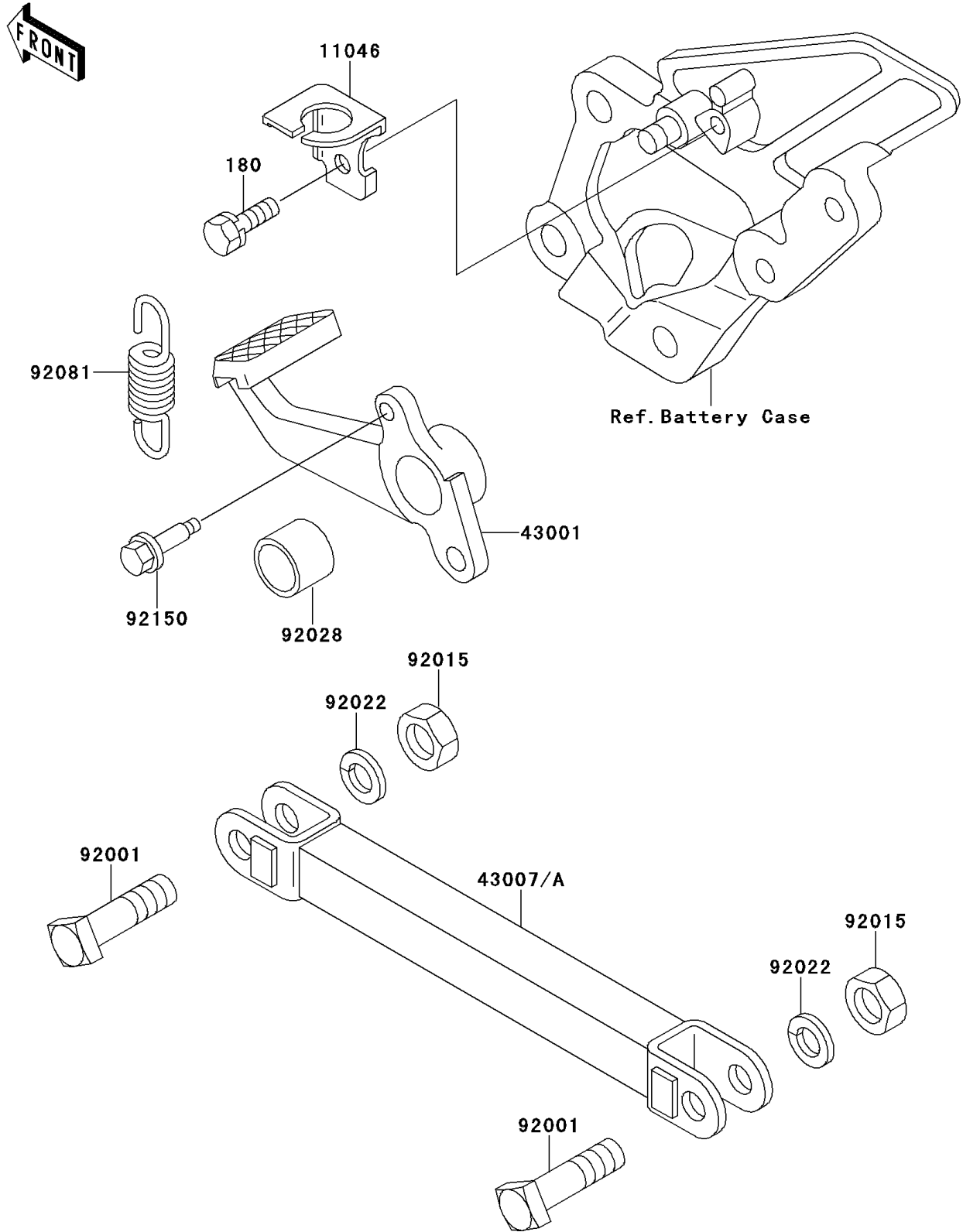


1990 Ninja® ZX™-6 PARTS DIAGRAM

Brake Pedal

F2260



1990 Ninja[®] ZX[™]-6 PARTS LIST

Brake Pedal

ITEM NAME	PART NUMBER	QUANTITY
BOLT-UPSET-WS (Ref # 180)	180H0614	1
BRACKET,REAR BRAKE SWITCH (Ref # 11046)	11046-1252	1
LEVER-BRAKE,PEDAL (Ref # 43001)	43001-1283	1
BOLT,10X37 (Ref # 92001)	92001-1307	2
NUT,LOCK,10MM (Ref # 92015)	92019-021	2
WASHER,SPRING,10MM (Ref # 92022)	92022-1540	2
BUSHING (Ref # 92028)	92028-1558	1
SPRING,BRAKE PEDAL (Ref # 92081)	92081-1147	1
BOLT,CENTER STAND SPRING,6MM (Ref # 92150)	92150-1113	1
ROD-TORQUE,G.GRAY (Ref # 43007)	43007-1152-GD	1
ROD-TORQUE,G.GRAY (Ref # 43007A)	43007-1152-HN	1