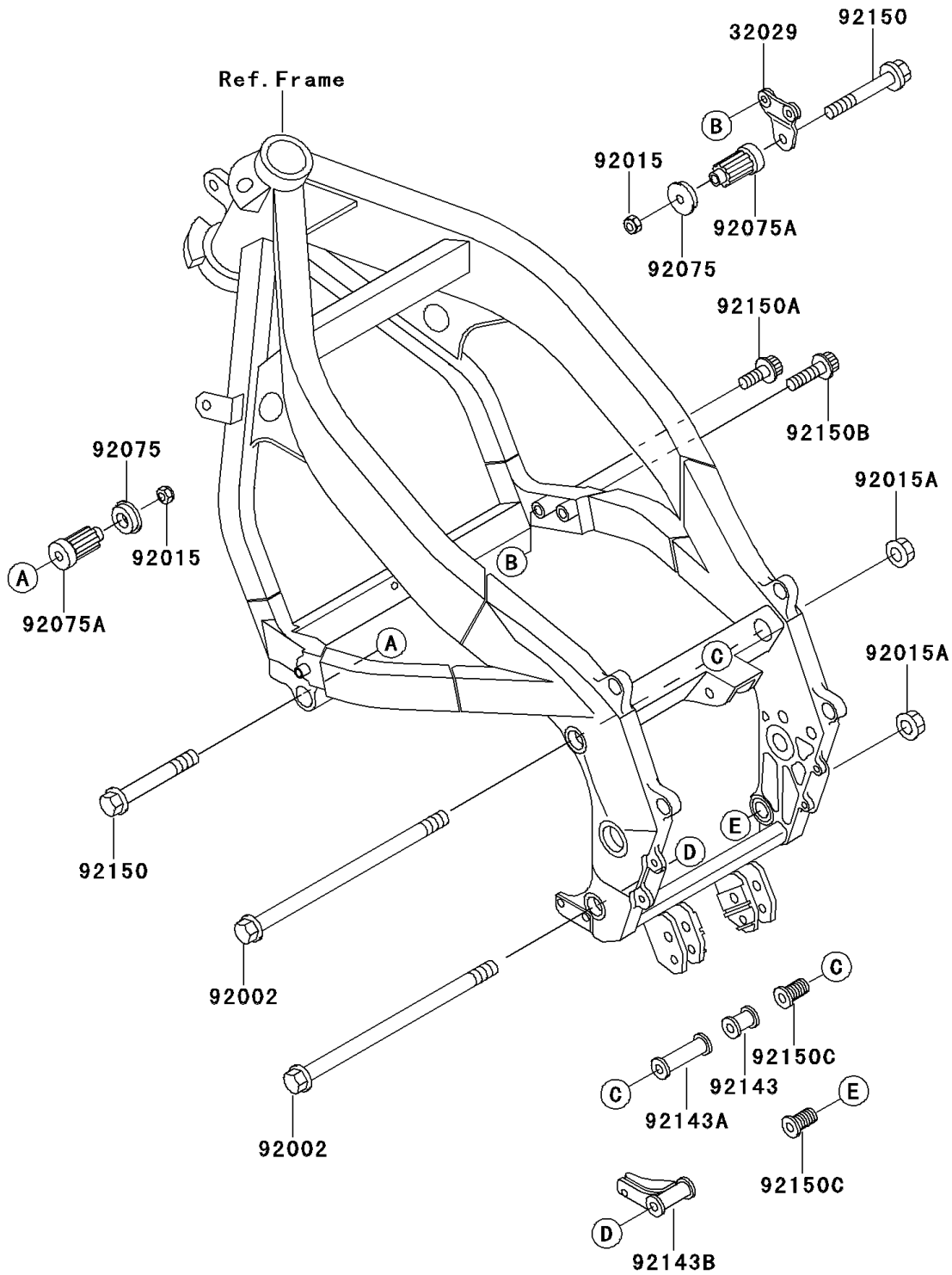


# 1990 Ninja® ZX™-6 PARTS DIAGRAM

Frame Fitting

F2131



# 1990 Ninja® ZX™-6 PARTS LIST

## Frame Fitting

ITEM NAME	PART NUMBER	QUANTITY
BRACKET-ENGINE,FR,RH (Ref # 32029)	32029-1713	1
BOLT,FLANGED,10X280 (Ref # 92002)	92002-1530	2
NUT,LOCK,10MM,BLACK (Ref # 92015)	92015-1189	2
NUT,FLANGED,10MM (Ref # 92015A)	92015-1428	2
DAMPER,ENGINE MOUNT,SIDE (Ref # 92075)	92075-1274	2
DAMPER,ENGINE MOUNT,MAIN (Ref # 92075A)	92075-1739	2
COLLAR,L=34 (Ref # 92143)	92143-1276	1
COLLAR,L=72.5 (Ref # 92143A)	92143-1421	1
COLLAR,ENGINE MOUNT (Ref # 92143B)	92143-1439	1
BOLT,FLANGED,10X87 (Ref # 92150)	92002-1298	2
BOLT,SOCKET,8X20 (Ref # 92150A)	92150-1155	1
BOLT,SOCKET,8X30 (Ref # 92150B)	92150-1156	1
BOLT,20X30 (Ref # 92150C)	92150-1264	2