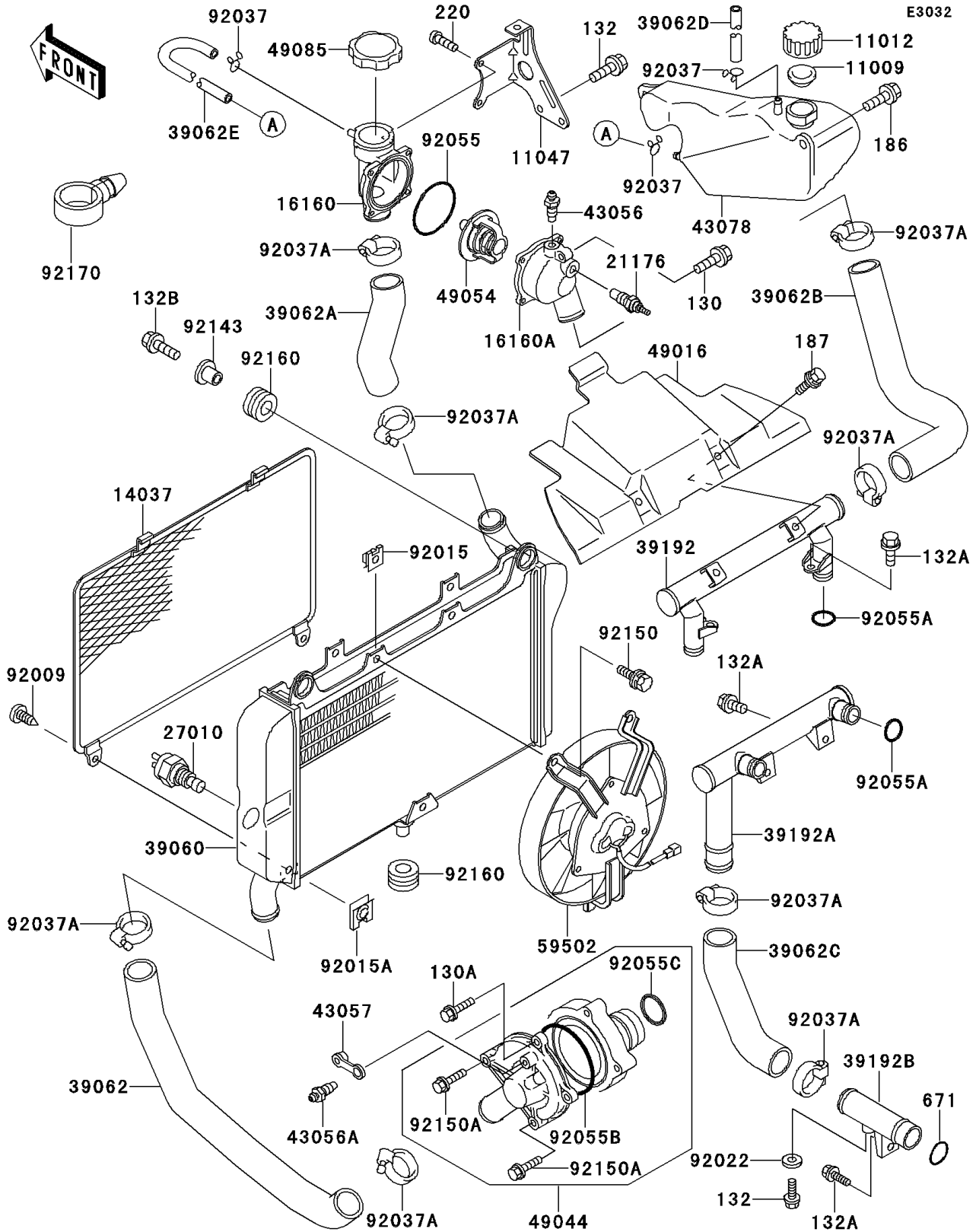


1990 Ninja® ZX™-6 PARTS DIAGRAM

Radiator



1990 Ninja® ZX™-6 PARTS LIST

Radiator

ITEM NAME	PART NUMBER	QUANTITY
GASKET,RESERVOIR TANK CAP (Ref # 11009)	11009-1145	1
CAP (Ref # 11012)	11012-1084	1
BRACKET,THERMO BODY (Ref # 11047)	11046-1944	1
SCREEN (Ref # 14037)	14037-1129	1
BODY,THERMOSTAT,UPP (Ref # 16160)	16160-1116	1
BODY,THERMOSTAT,LWR (Ref # 16160A)	16160-1117	1
SENSOR,WATER (Ref # 21176)	21176-1054	1
SWITCH,FAN (Ref # 27010)	27010-1202	1
RADIATOR (Ref # 39060)	39060-1095	1
HOSE-COOLING,RADIATOR-PUMP (Ref # 39062)	39062-1394	1
HOSE-COOLING,RADIATOR-CAP (Ref # 39062A)	39062-1395	1
HOSE-COOLING,THERMO-HEAD (Ref # 39062B)	39062-1396	1
HOSE-COOLING,PUMP-CYLINDER (Ref # 39062C)	39062-1397	1
HOSE-COOLING,5.5X10.5X350 (Ref # 39062D)	39062-1418	1
HOSE-COOLING,CAP-RESERVOIR (Ref # 39062E)	39062-1422	1
PIPE-WATER (Ref # 39192)	39192-1032	1
PIPE-WATER (Ref # 39192A)	39192-1033	1
PIPE-WATER (Ref # 39192B)	39192-1034	1
BREATHER (Ref # 43056)	43056-003	1
BREATHER-BRAKE (Ref # 43056A)	43056-1051	1
CAP-BREATHER (Ref # 43057)	43057-1001	1
RESERVOIR (Ref # 43078)	43078-1109	1
COVER-SEAL (Ref # 49016)	49016-1154	1
PUMP-WATER (Ref # 49044)	49044-1067	1
THERMOSTAT (Ref # 49054)	49054-1051	1
CAP-ASSY-PRESSURE (Ref # 49085)	49085-1054	1
FAN-ASSY (Ref # 59502)	59502-1089	1
SCREW,TAPPING,6MM (Ref # 92009)	92009-1261	2
NUT (Ref # 92015)	92015-1487	3

1990 Ninja® ZX™-6 PARTS LIST

Radiator

ITEM NAME	PART NUMBER	QUANTITY
NUT,6MM (Ref # 92015A)	92015-1758	2
WASHER,6.2X11X1 (Ref # 92022)	92022-304	1
CLAMP,TUBE (Ref # 92037)	92037-147	3
CLAMP,COOLING HOSE (Ref # 92037A)	92037-1985	8
RING-O,53.5X2.6 (Ref # 92055)	92055-112	1
RING-O (Ref # 92055A)	92055-1282	4
RING-O,WATER PUMP INSIDE (Ref # 92055B)	92055-1423	1
RING-O,33.2X2.4 (Ref # 92055C)	92055-1424	1
COLLAR (Ref # 92143)	92143-1411	2
BOLT,6X12 (Ref # 92150)	92150-1186	3
BOLT,6X22 (Ref # 92150A)	92150-1379	2
BOLT-FLANGED,6X12 (Ref # 130)	130G0612	1
BOLT-FLANGED,6X40 (Ref # 130A)	130G0640	2
BOLT-FLANGED-SMALL,6X10 (Ref # 132)	132J0610	3
BOLT-FLANGED-SMALL (Ref # 132A)	132J0612	5
BOLT-FLANGED-SMALL (Ref # 132B)	132J0830	2
BOLT-UPSET-WP (Ref # 186)	186H0614	2
BOLT-UPSET-WSP (Ref # 187)	187G0612	2
SCREW-PAN-CROS (Ref # 220)	220D0514	4
O RING,25MM (Ref # 671)	671B2525	1
DAMPER (Ref # 92160)	92160-1007	3
CLAMP,HOSE (Ref # 92170)	92170-1067	1