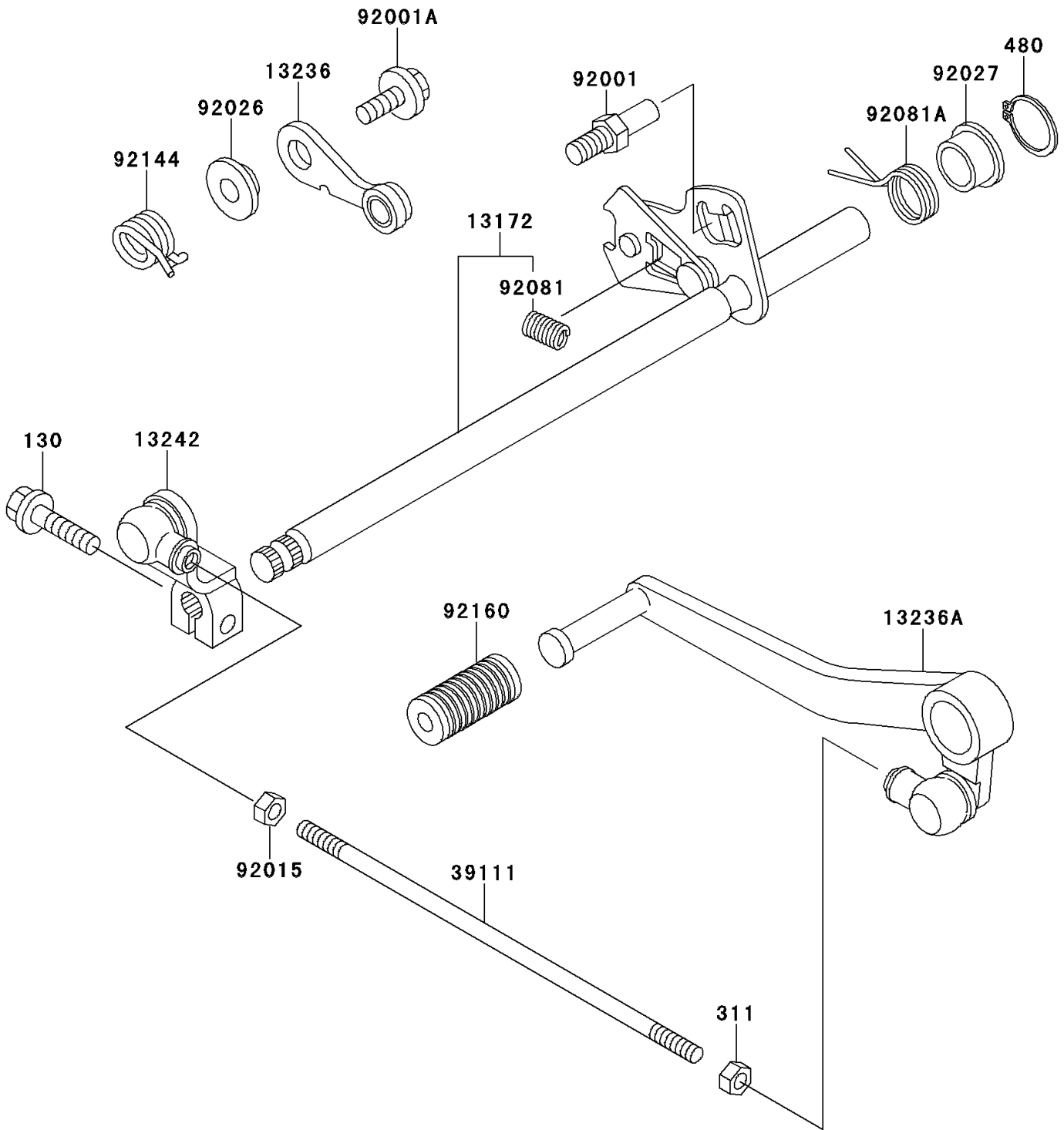


# 1990 Ninja® ZX™-6 PARTS DIAGRAM

Gear Change Mechanism

E1370



# 1990 Ninja® ZX™-6 PARTS LIST

## Gear Change Mechanism

ITEM NAME	PART NUMBER	QUANTITY
BOLT-FLANGED,6X20,BLACK (Ref # 130)	130S0620	1
NUT-HEX (Ref # 311)	311J0600	1
CIRCLIP-TYPE-C,13MM (Ref # 480)	480J1300	1
SHAFT-ASSY-CHANGE (Ref # 13172)	13172-1072	1
LEVER-COMP,NEUTRAL POSITION (Ref # 13236)	13236-1209	1
LEVER-COMP,CHANGE PEDAL (Ref # 13236A)	13236-1211	1
LEVER-ASSY-CHANGE,BOSS (Ref # 13242)	13242-1285	1
ROD-TIE (Ref # 39111)	39111-1057	1
BOLT,RETURN SPRING (Ref # 92001)	92001-1455	1
BOLT,W/WASHER,6X12 (Ref # 92001A)	92001-1516	1
NUT (Ref # 92015)	92015-1178	1
SPACER (Ref # 92026)	92026-1217	1
COLLAR,L=10.6 (Ref # 92027)	92027-1801	1
SPRING,CHANGE LEVER (Ref # 92081)	92081-1275	1
SPRING,CHANGE LEVER RETURN (Ref # 92081A)	92081-1279	1
SPRING,NEUTRAL POSITION (Ref # 92144)	92144-1478	1
DAMPER,CHANGE PEDAL (Ref # 92160)	92160-1036	1