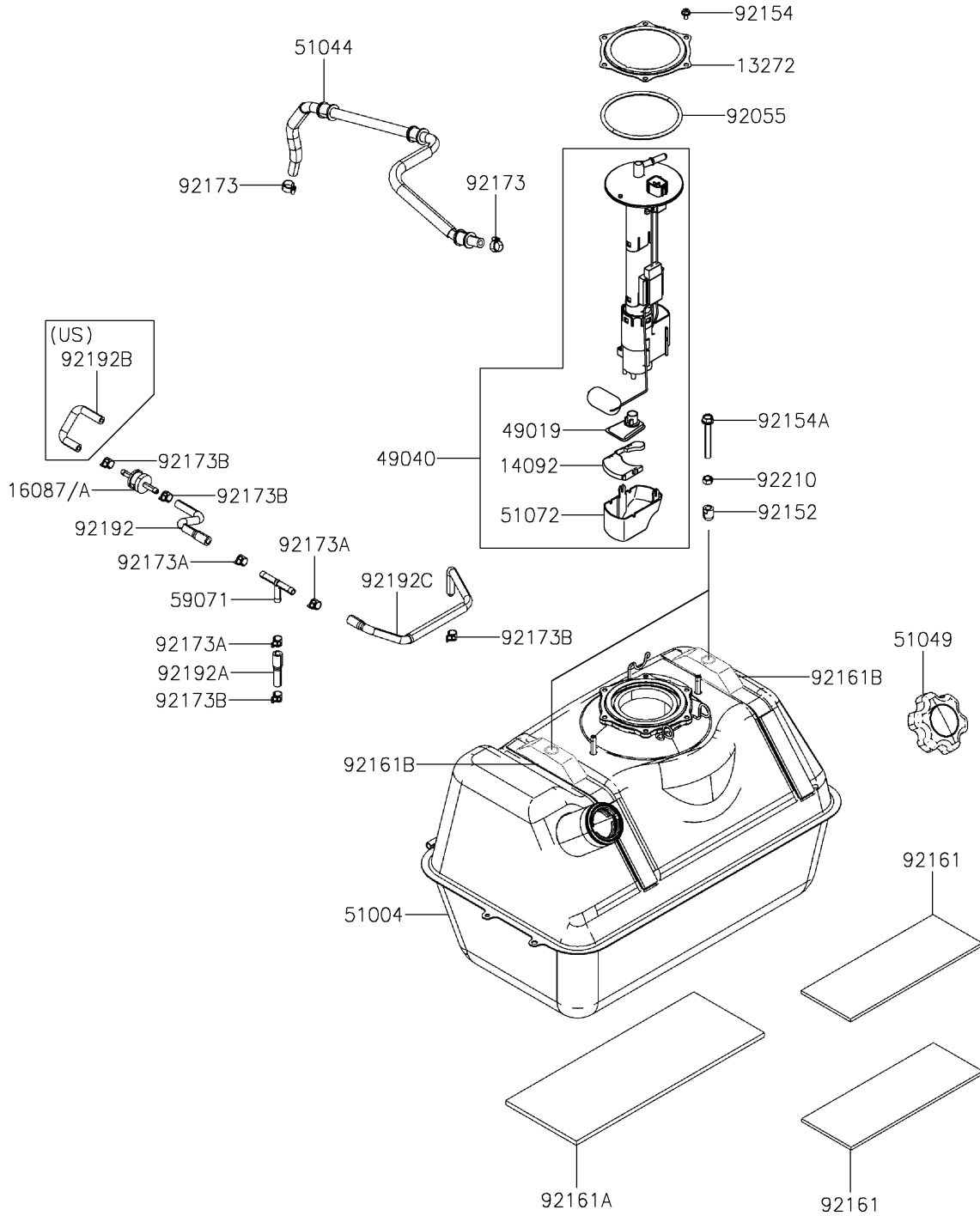


# 2022 Mule PRO-MX EPS PARTS DIAGRAM

Fuel Tank

F2410



## 2022 Mule PRO-MX EPS PARTS LIST

### Fuel Tank

ITEM NAME	PART NUMBER	QUANTITY
PLATE,FUEL PUMP (Ref # 13272)	13272-Y030	1
COVER (Ref # 14092)	14092-1044	1
VALVE-CHECK (Ref # 16087)	16087-0008	1
VALVE-CHECK (Ref # 16087A)	16087-0009	1
FILTER-FUEL (Ref # 49019)	49019-0013	1
PUMP-FUEL (Ref # 49040)	49040-0832	1
TANK-FUEL (Ref # 51004)	51004-Y001	1
TUBE-ASSY,FUEL TANK (Ref # 51044)	51044-0896	1
CAP-TANK (Ref # 51049)	51049-Y005	1
CHAMBER-FUEL (Ref # 51072)	51072-0003	1
JOINT,3 WAY (Ref # 59071)	59071-Y008	1
RING-O,FUEL PUMP (Ref # 92055)	92055-Y057	1
COLLAR (Ref # 92152)	92152-Y057	2
BOLT,5X10 (Ref # 92154)	92154-Y119	6
BOLT,FLANGE,8X60 (Ref # 92154A)	92154-Y207	2
DAMPER,FUEL TANK (Ref # 92161)	92161-Y040	2
DAMPER,FUEL TANK (Ref # 92161A)	92161-Y041	1
DAMPER (Ref # 92161B)	92161-Y042	2
CLAMP,12.5MM (Ref # 92173)	92173-Y043	2
CLAMP (Ref # 92173A)	92173-Y051	3
CLAMP (Ref # 92173B)	92173-Y081	4
TUBE (Ref # 92192)	92192-Y060	1
TUBE (Ref # 92192A)	92192-Y061	1
TUBE (Ref # 92192B)	92192-Y062	1
TUBE (Ref # 92192C)	92192-Y073	1
NUT,HEX,8MM (Ref # 92210)	92210-Y079	2