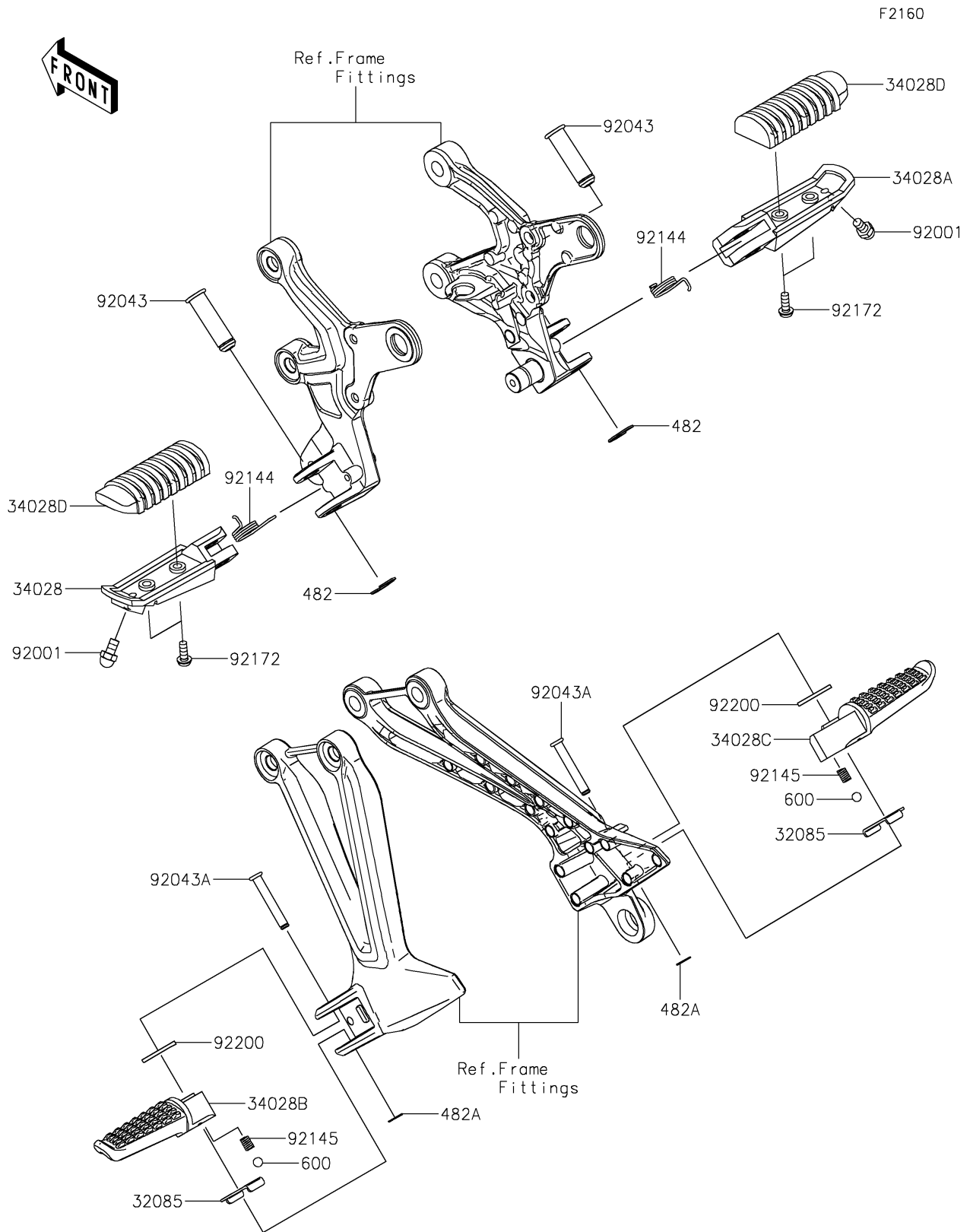


# 2023 Z900RS SE PARTS DIAGRAM

## Footrests



## 2023 Z900RS SE PARTS LIST

### Footrests

| ITEM NAME                        | PART NUMBER | QUANTITY |
|----------------------------------|-------------|----------|
| STOPPER,REAR STEP (Ref # 32085)  | 32085-0047  | 2        |
| STEP,FR,LH (Ref # 34028)         | 34028-0352  | 1        |
| STEP,FR,RH (Ref # 34028A)        | 34028-0353  | 1        |
| STEP,RR,LH (Ref # 34028B)        | 34028-0380  | 1        |
| STEP,RR,RH (Ref # 34028C)        | 34028-0381  | 1        |
| STEP,RUBBER (Ref # 34028D)       | 34028-1430  | 2        |
| BOLT,BANK SENSOR (Ref # 92001)   | 92001-1905  | 2        |
| PIN,12X42.5 (Ref # 92043)        | 92043-1594  | 2        |
| PIN,6X40 (Ref # 92043A)          | 92043-1595  | 2        |
| SPRING,STEP RETURN (Ref # 92144) | 92144-1567  | 2        |
| SPRING (Ref # 92145)             | 92145-1319  | 2        |
| SCREW,5X14 (Ref # 92172)         | 92172-0976  | 4        |
| WASHER,16X26X2.3 (Ref # 92200)   | 92200-0043  | 2        |
| CIRCLIP-TYPE-E,10MM (Ref # 482)  | 482EA0100   | 2        |
| CIRCLIP-TYPE-E (Ref # 482A)      | 482EA5000   | 2        |
| BALL-STEEL,1/4 (Ref # 600)       | 600A0800    | 2        |