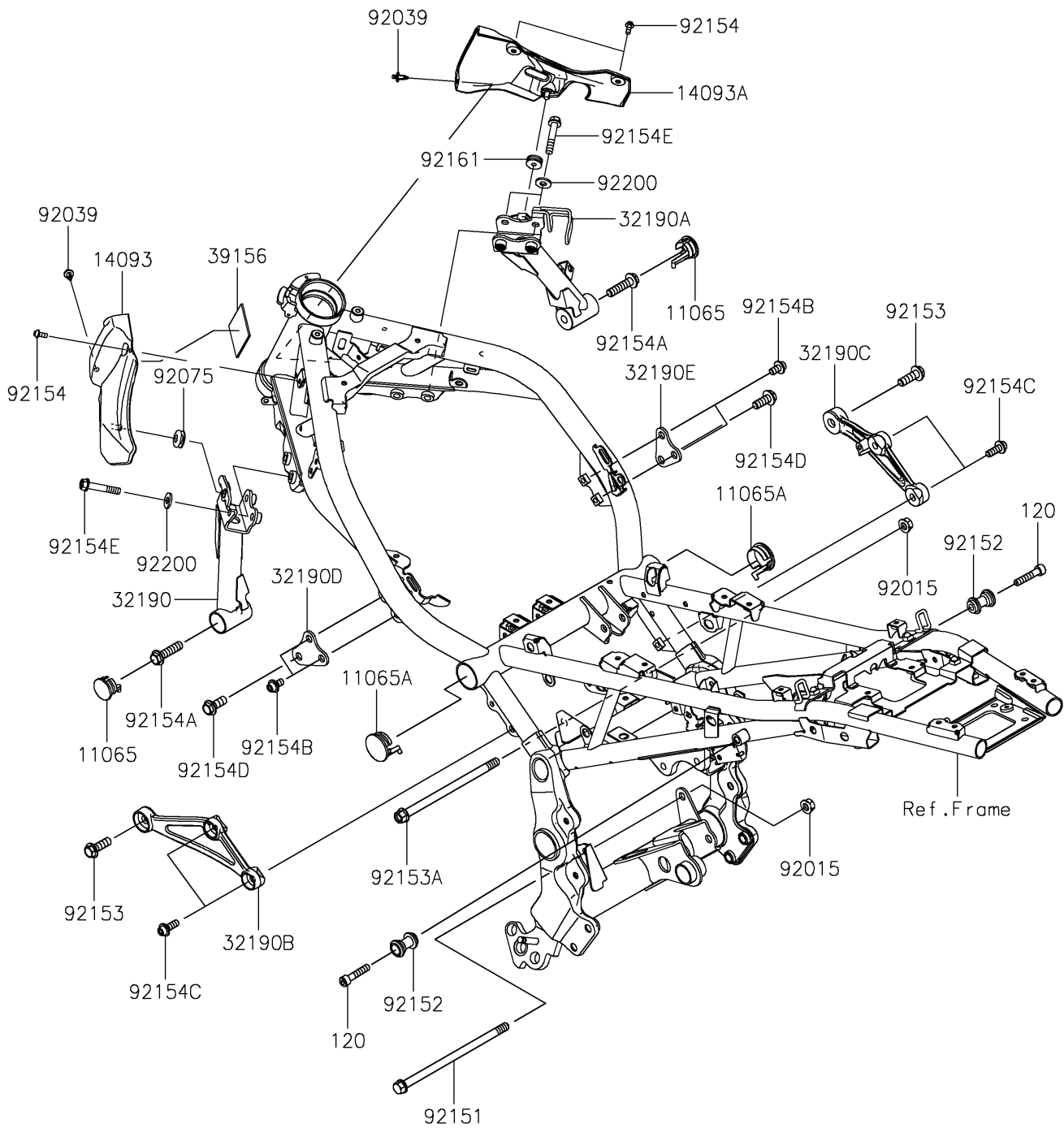


2022 Z900RS SE

PARTS DIAGRAM

Engine Mount

F2122



2022 Z900RS SE

PARTS LIST

Engine Mount

Kawasaki

Let the Good Times Roll®

| ITEM NAME | PART NUMBER | QUANTITY |
|-----------------------------------------------|----------------|----------|
| CAP,27.4MM (Ref # 11065) | 11065-0987 | 2 |
| CAP,35.1MM (Ref # 11065A) | 11065-0988 | 2 |
| COVER,FRAME,LH (Ref # 14093) | 14093-0620 | 1 |
| COVER,FRAME,RH (Ref # 14093A) | 14093-0621 | 1 |
| BRACKET-ENGINE,LH,BLACK (Ref # 32190) | 32190-0744-10 | 1 |
| BRACKET-ENGINE,RH,BLACK (Ref # 32190A) | 32190-0745-10 | 1 |
| BRACKET-ENGINE,CYL.,LH,F.S.BLK (Ref # 32190B) | 32190-0757-18R | 1 |
| BRACKET-ENGINE,CYL.,RH,F.S.BLK (Ref # 32190C) | 32190-0758-18R | 1 |
| BRACKET-ENGINE,HEAD,LH,BLACK (Ref # 32190D) | 32190-0759-10 | 1 |
| BRACKET-ENGINE,HEAD,RH,BLACK (Ref # 32190E) | 32190-0760-10 | 1 |
| PAD,50X50X2 (Ref # 39156) | 39156-2235 | 1 |
| NUT,FLANGED,10MM (Ref # 92015) | 92015-1180 | 2 |
| RIVET (Ref # 92039) | 92039-0068 | 2 |
| DAMPER (Ref # 92075) | 92075-1067 | 1 |
| BOLT,FLANGED,10X190 (Ref # 92151) | 92151-1915 | 1 |
| COLLAR (Ref # 92152) | 92152-3775 | 2 |
| BOLT,FLANGED,10X30 (Ref # 92153) | 92153-0801 | 2 |
| BOLT,FLANGED,10X170 (Ref # 92153A) | 92153-1428 | 1 |
| BOLT,SOCKET,5X12 (Ref # 92154) | 92154-0917 | 3 |
| BOLT,FLANGED,10X40 (Ref # 92154A) | 92154-2743 | 2 |
| BOLT,SOCKET,8X14 (Ref # 92154B) | 92154-2745 | 4 |
| BOLT,SOCKET,8X22 (Ref # 92154C) | 92154-2746 | 4 |
| BOLT,FLANGED,10X25 (Ref # 92154D) | 92154-2747 | 2 |
| BOLT,FLANGED,8X45 (Ref # 92154E) | 92154-3733 | 4 |
| DAMPER,6X20X7.5 (Ref # 92161) | 92161-1991 | 1 |
| WASHER,8.5X18X2.3 (Ref # 92200) | 92200-1213 | 4 |
| BOLT-SOCKET,8X40 (Ref # 120) | 120CC0840 | 2 |