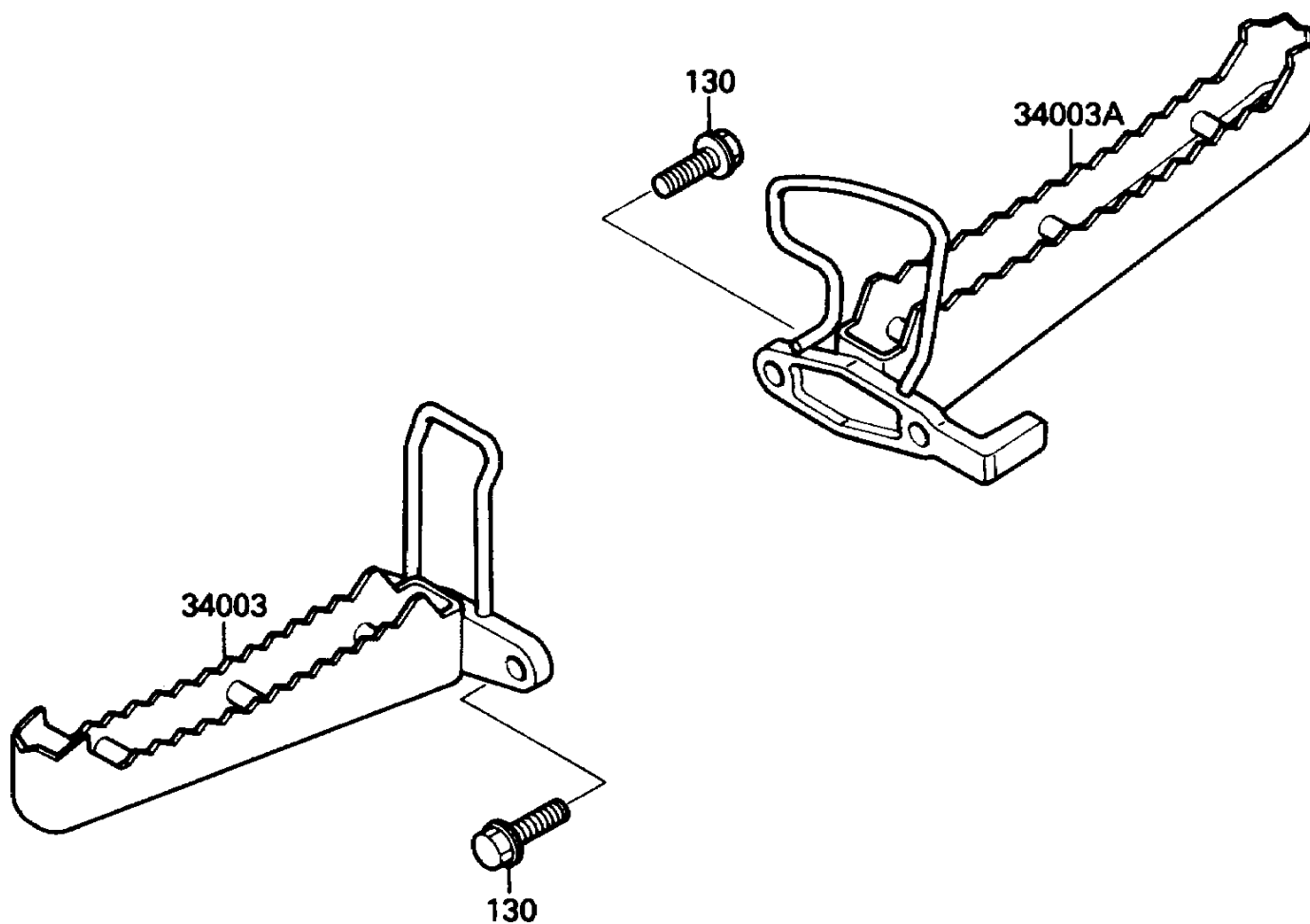


1988 Tecate 4 PARTS DIAGRAM

Footrests

F2160-0167



1988 Tecate 4 PARTS LIST

Footrests

ITEM NAME	PART NUMBER	QUANTITY
HOLDER-STEP,LH (Ref # 34003)	34003-1285	1
HOLDER-STEP,RH (Ref # 34003A)	34003-1287	1
BOLT-FLANGED,10X25 (Ref # 130)	130P1025	1