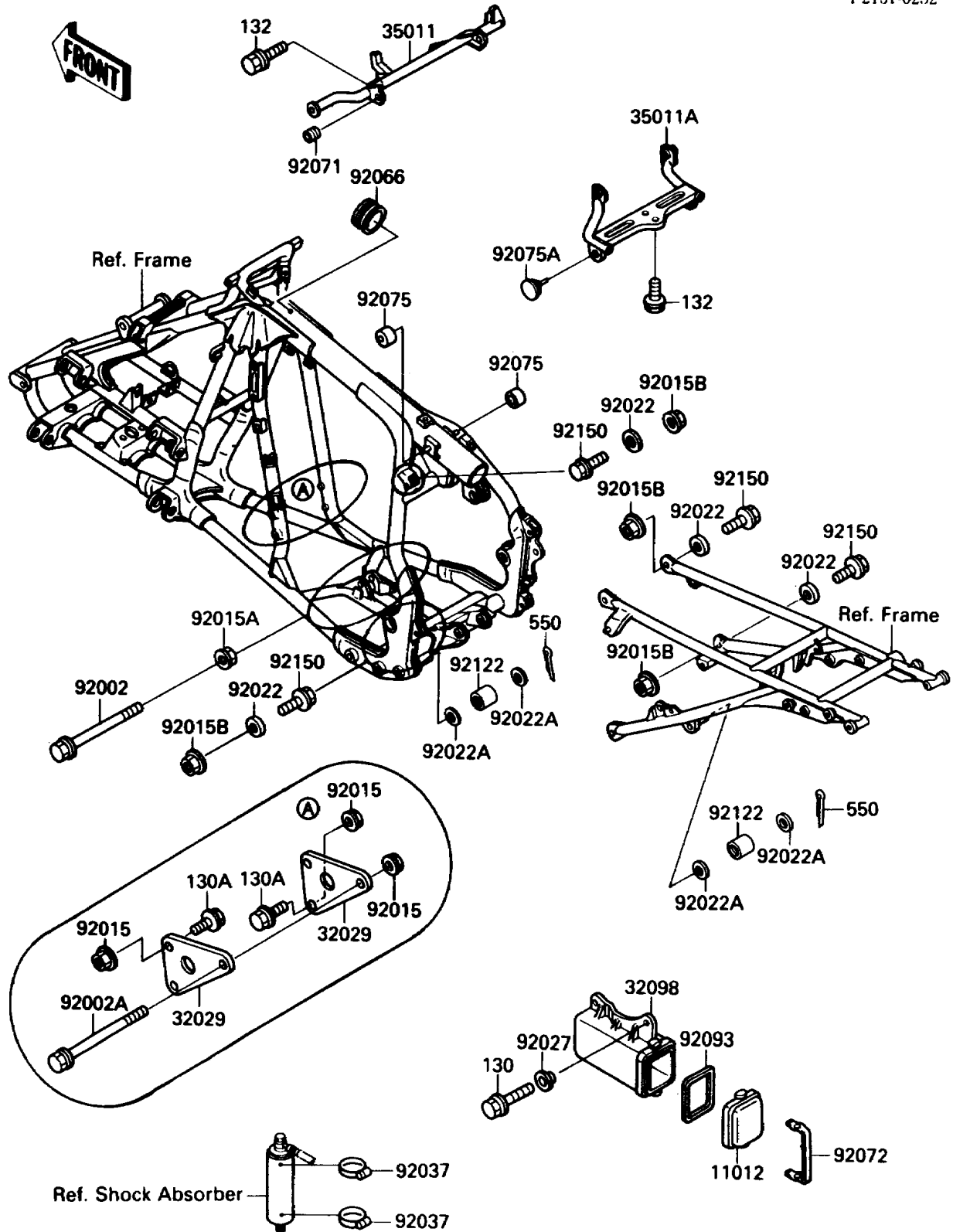


1988 Tecate 4 PARTS DIAGRAM

Frame Fittings(KXF250-A2)

F2131-0252



1988 Tecate 4 PARTS LIST

Frame Fittings(KXF250-A2)

ITEM NAME	PART NUMBER	QUANTITY
CAP,TOOL CASE (Ref # 11012)	11012-1606	1
BRACKET-ENGINE,FR (Ref # 32029)	32029-1526	1
CASE-TOOL (Ref # 32098)	32098-1078	1
STAY,FRONT FENDER&SIDE COVER (Ref # 35011)	35011-1338	1
STAY,SIDE COVER (Ref # 35011A)	35011-1339	1
BOLT,FLANGED,8X93 (Ref # 92002)	92002-1416	1
BOLT,FLANGED,8X90 (Ref # 92002A)	92002-1849	1
NUT,8MM (Ref # 92015)	92015-1143	1
NUT,FLANGED,10MM (Ref # 92015A)	92015-1335	1
NUT,LOCK,8MM (Ref # 92015B)	92015-1506	1
WASHER,8.5X20X1.6 (Ref # 92022)	92022-1561	1
WASHER,13.5X23X2.3 (Ref # 92022A)	92022-1863	1
COLLAR (Ref # 92027)	92027-1354	1
CLAMP (Ref # 92037)	92037-509	1
PLUG,FRAME FITTING (Ref # 92066)	92066-1310	1
GROMMET (Ref # 92071)	92071-056	1
BAND,TOOL CASE CAP (Ref # 92072)	92072-1226	1
DAMPER,FUEL TANK (Ref # 92075)	92075-044	1
DAMPER,REAR STAY (Ref # 92075A)	92075-1911	1
SEAL,TOOL CASE CAP (Ref # 92093)	92093-1247	1
ROLLER,CHAIN GUIDE (Ref # 92122)	92122-1144	1
BOLT,FLANGED,8X20 (Ref # 92150)	92150-1017	1
BOLT-FLANGED,8X20 (Ref # 130)	130G0820	1
BOLT-FLANGED,8X50 (Ref # 130A)	130G0850	1
BOLT-FLANGED-SMALL (Ref # 132)	132G0610	1
PIN-COTTER,2.0X25 (Ref # 550)	550D2025	1