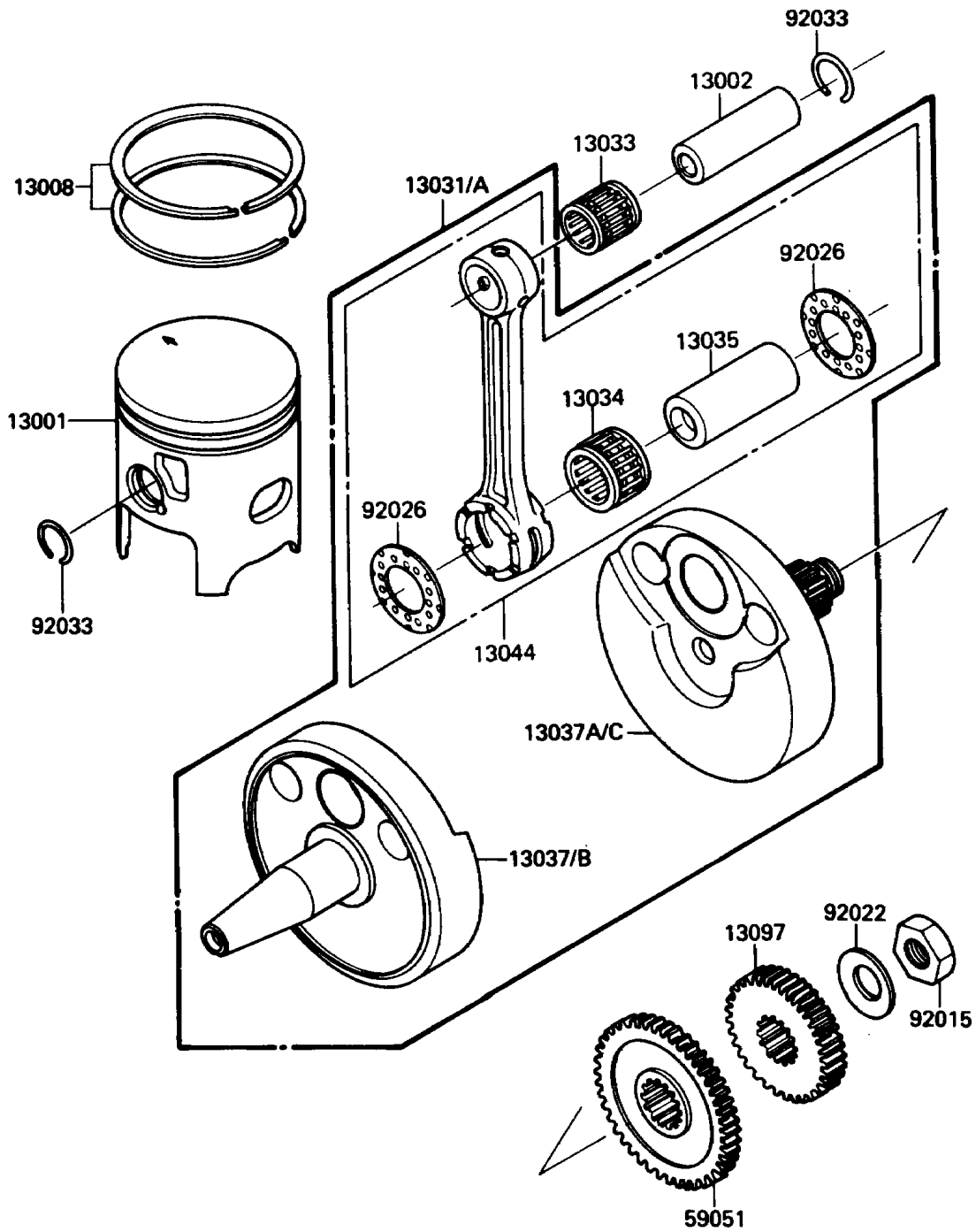


1988 Tecate 4 PARTS DIAGRAM

Crankshaft/Piston(s)

E1320-0044



1988 Tecate 4 PARTS LIST

Crankshaft/Piston(s)

ITEM NAME	PART NUMBER	QUANTITY
PISTON-ENGINE (Ref # 13001)	13001-1246	1
PIN-PISTON (Ref # 13002)	13002-1068	1
RING-SET-PISTON (Ref # 13008)	13008-1091	1
CRANKSHAFT-COMP (Ref # 13031A)	13031-1267	1
BEARING-NEEDLE,KBK18X22X23.8X (Ref # 13033)	13033-1010	1
BEARING-BIG END,H24X32X19.8 (Ref # 13034)	13034-1060	1
PIN-CRANK (Ref # 13035)	13035-034	1
CRANKSHAFT,LH (Ref # 13037B)	13037-1335	1
CRANKSHAFT,RH (Ref # 13037C)	13037-1336	1
SET-CONNECTING ROD (Ref # 13044)	13044-5042	1
GEAR-PRIMARY SPUR,22T (Ref # 13097)	13097-1189	1
GEAR-SPUR,36T (Ref # 59051)	59051-1182	1
NUT,16MM (Ref # 92015)	92015-1176	1
WASHER,16.3X29X1.75 (Ref # 92022)	92022-1356	1
SPACER,24X42X1.6 (Ref # 92026)	92026-1241	1
RING-SNAP,PISTON PIN (Ref # 92033)	92036-015	1