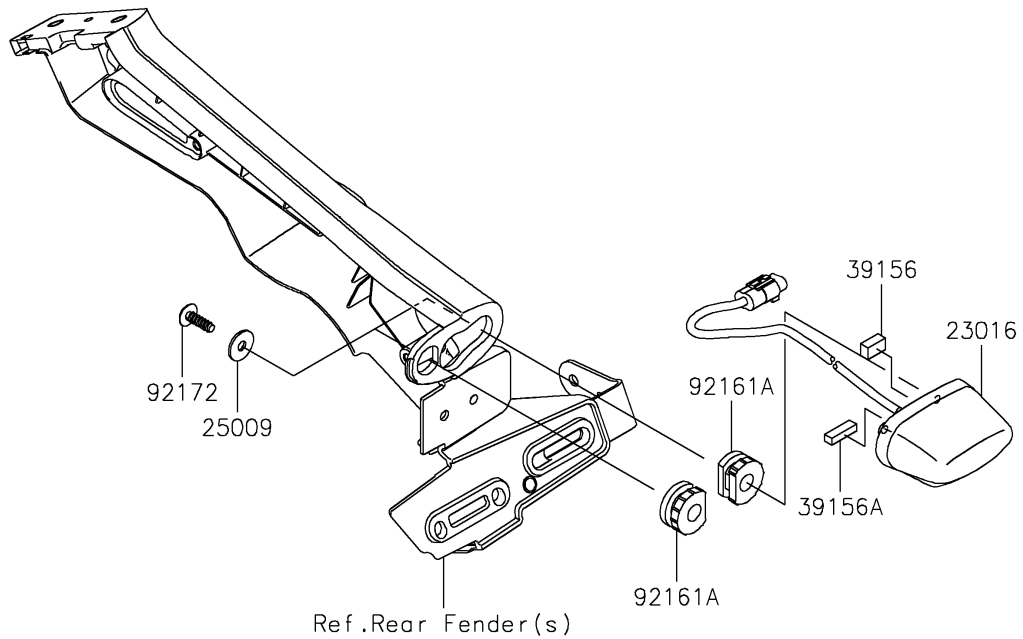
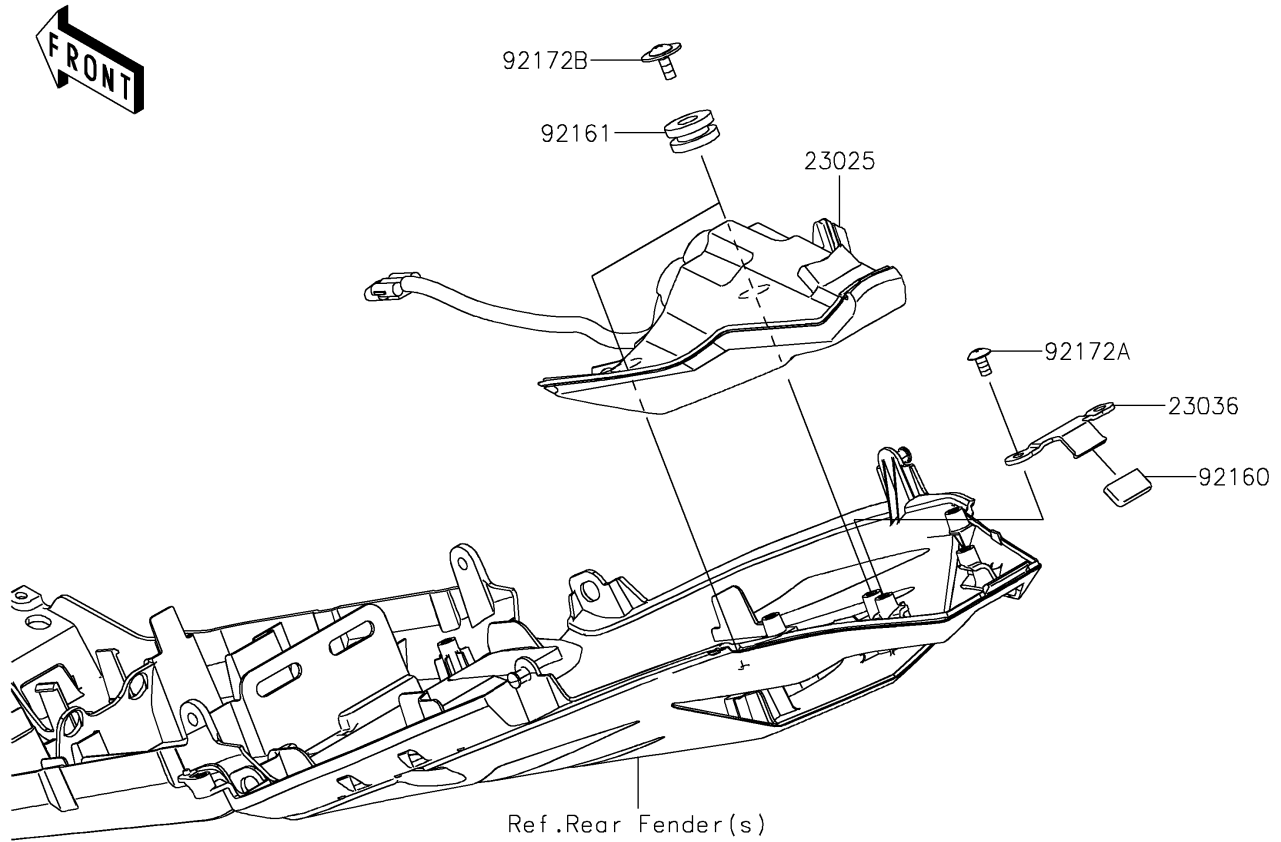


2024 Ninja® ZX-6R ABS PARTS DIAGRAM

Taillight(s)

F2720



2024 Ninja® ZX-6R ABS PARTS LIST

Taillight(s)

ITEM NAME	PART NUMBER	QUANTITY
LAMP-ASSY,LICENSE,LED (Ref # 23016)	23016-0637	1
LAMP-TAIL,LED (Ref # 23025)	23025-0400	1
BRACKET-TAIL LAMP (Ref # 23036)	23036-0040	1
WASHER,5.2X16X1.2 (Ref # 25009)	25009-004	2
PAD,7X12X5 (Ref # 39156)	39156-2292	1
PAD,4X17X5 (Ref # 39156A)	39156-2293	1
DAMPER (Ref # 92160)	92160-1190	1
DAMPER (Ref # 92161)	92161-0163	2
DAMPER,9X23X12 (Ref # 92161A)	92161-1885	2
SCREW,TAPPING,5X16 (Ref # 92172)	92172-0238	2
SCREW,TAPPING,5X10 (Ref # 92172A)	92172-0262	2
SCREW,TAPPING,WP,5X14 (Ref # 92172B)	92172-0441	2