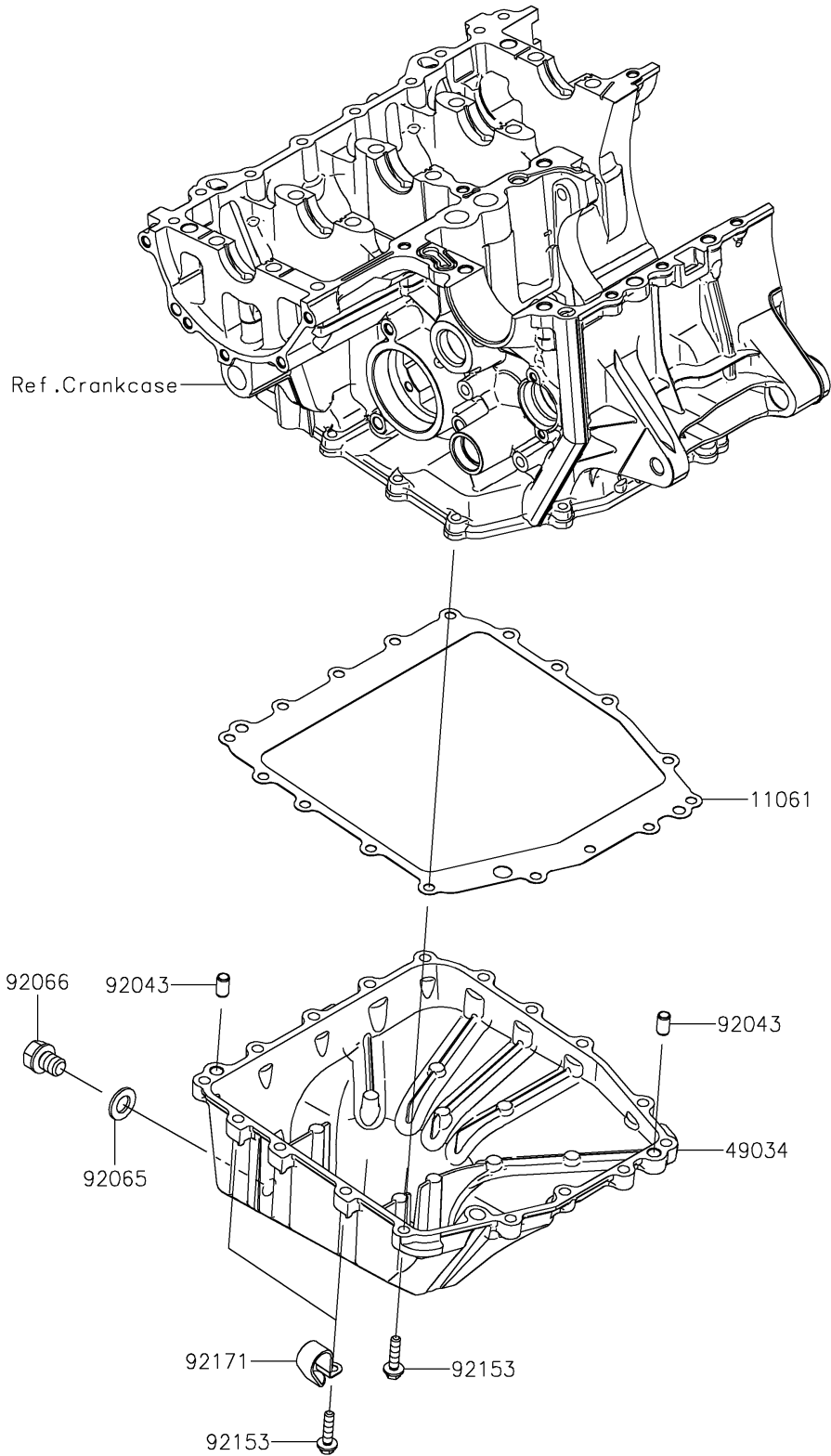


2024 Ninja® ZX-6R ABS PARTS DIAGRAM

Oil Pan

E1434



2024 Ninja® ZX-6R ABS PARTS LIST

Oil Pan

| ITEM NAME | PART NUMBER | QUANTITY |
|------------------------------------|-------------|----------|
| GASKET,OIL PAN (Ref # 11061) | 11061-0253 | 1 |
| PAN-OIL (Ref # 49034) | 49034-0031 | 1 |
| PIN,6.2X8X14 (Ref # 92043) | 92043-1263 | 2 |
| GASKET,12X22X2 (Ref # 92065) | 92065-097 | 1 |
| PLUG,OIL DRAIN,12X15 (Ref # 92066) | 92066-1174 | 1 |
| BOLT,FLANGED,6X25 (Ref # 92153) | 92153-1569 | 17 |
| CLAMP (Ref # 92171) | 92171-0911 | 2 |