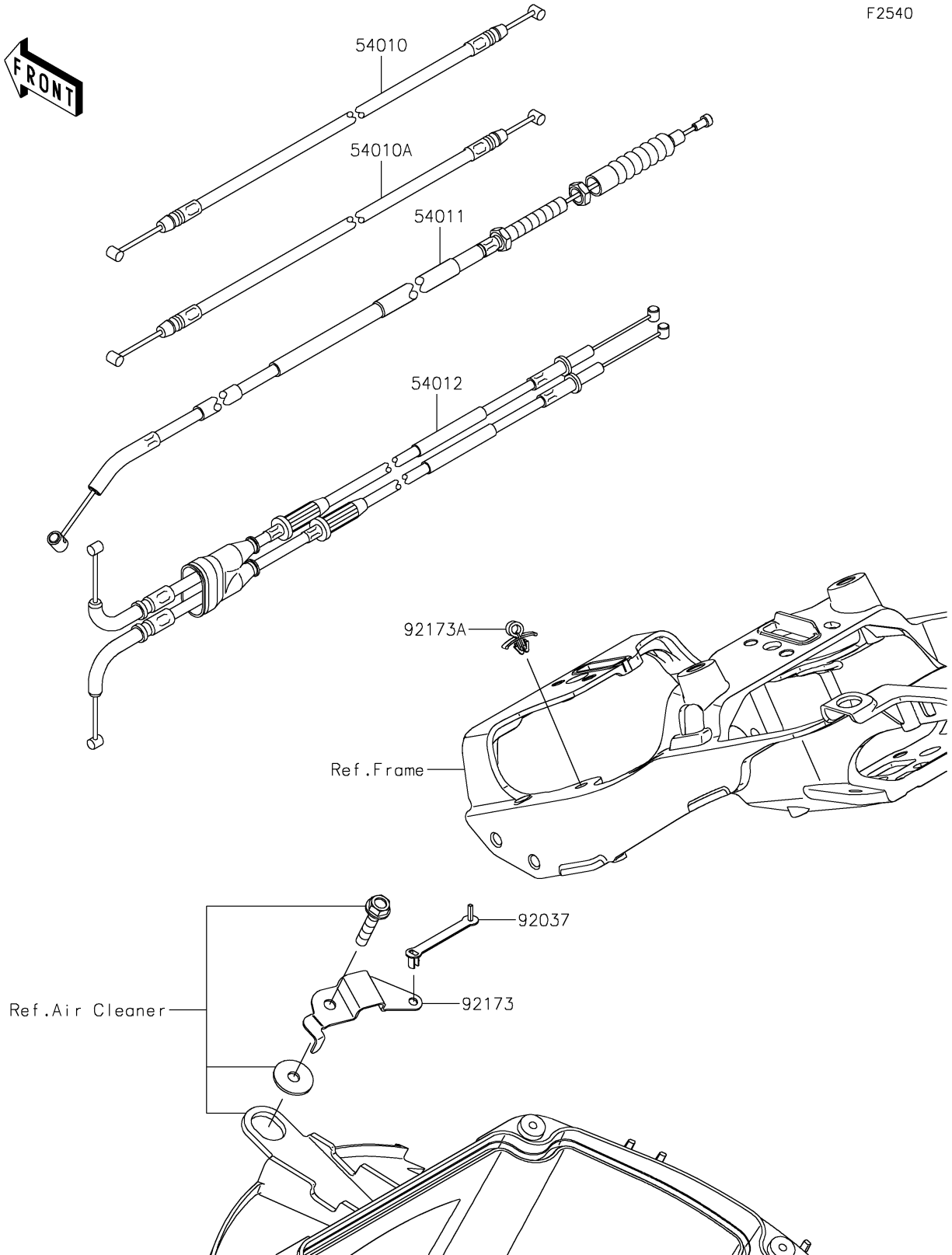


# 2022 Ninja ZX-6R (CA) PARTS DIAGRAM

Cables

F2540



## 2022 Ninja ZX-6R (CA) PARTS LIST

### Cables

ITEM NAME	PART NUMBER	QUANTITY
CABLE,SEAT LOCK,FR (Ref # 54010)	54010-0627	1
CABLE,SEAT LOCK,RR (Ref # 54010A)	54010-0628	1
CABLE-CLUTCH (Ref # 54011)	54011-0634	1
CABLE-THROTTLE (Ref # 54012)	54012-0586	1
CLAMP,SPEED,L=43 (Ref # 92037)	92037-1290	1
CLAMP (Ref # 92173)	92173-1151	1
CLAMP (Ref # 92173A)	92173-1717	1