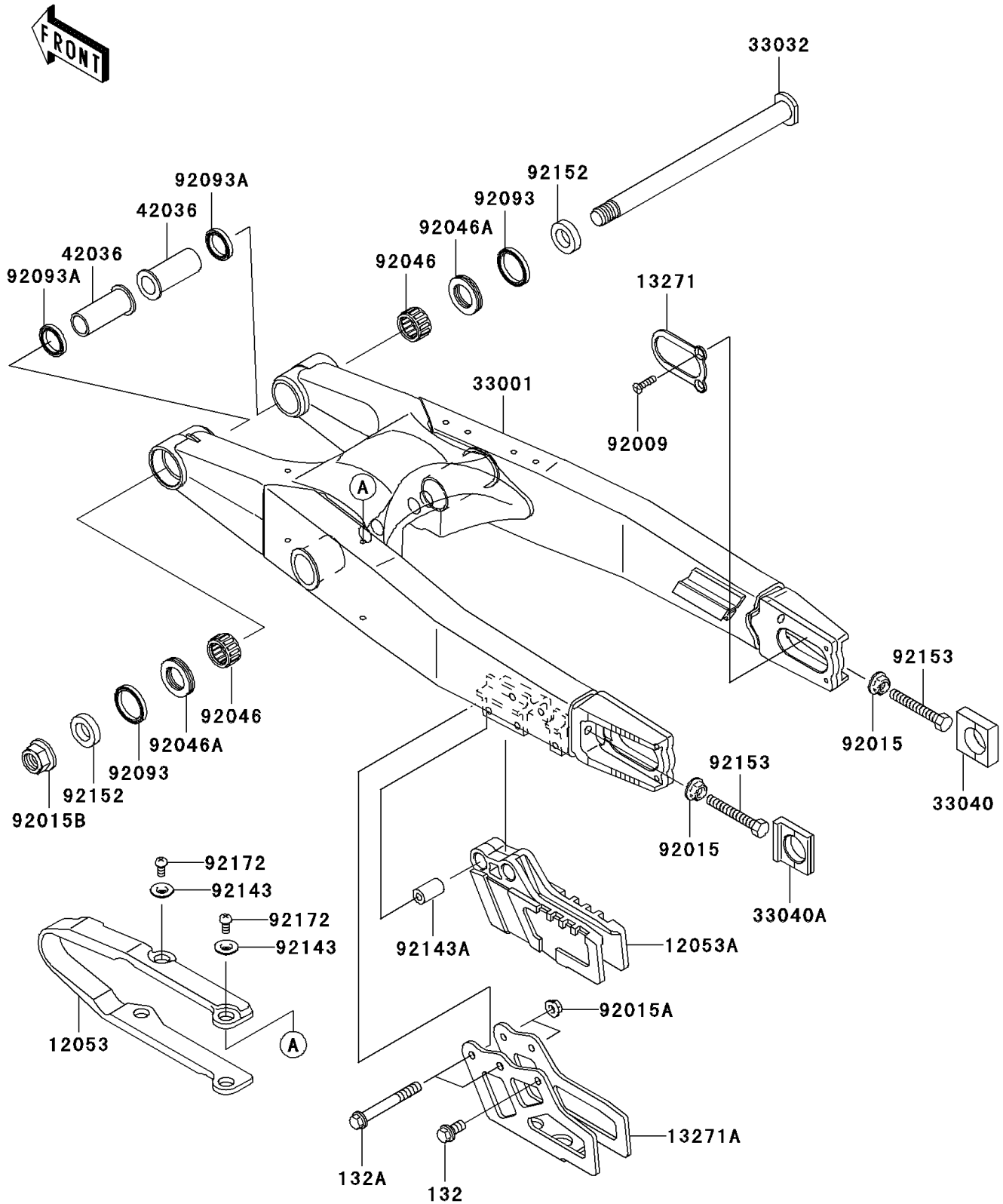


## 2005 KX125 PARTS DIAGRAM

Swingarm

F2141



## 2005 KX125 PARTS LIST

### Swingarm

ITEM NAME	PART NUMBER	QUANTITY
BOLT-FLANGED-SMALL (Ref # 132)	132G0612	1
BOLT-FLANGED-SMALL (Ref # 132A)	132G0650	1
GUIDE-CHAIN,DRIVE,FR (Ref # 12053)	12053-0020	1
GUIDE-CHAIN (Ref # 12053A)	12053-1468	1
PLATE,AXLE (Ref # 13271)	13271-1833	1
PLATE,CHAIN GUIDE (Ref # 13271A)	13271-1834	1
ARM-COMP-SWING,P.SILVER (Ref # 33001)	33001-0052-458	1
SHAFT-SWING ARM (Ref # 33032)	33032-1189	1
ADJUSTER-CHAIN,RH (Ref # 33040)	33040-0013	1
ADJUSTER-CHAIN,LH (Ref # 33040A)	33040-1189	1
SLEEVE,SWING ARM,L=54 (Ref # 42036)	42036-1326	1
SCREW,5X10 (Ref # 92009)	92009-1828	1
NUT,FLANGED,8MM (Ref # 92015)	92015-1014	1
NUT,FLANGED,6MM (Ref # 92015A)	92015-1078	1
NUT,FLANGED,16MM (Ref # 92015B)	92015-1316	1
BEARING-NEEDLE,TA2230Z (Ref # 92046)	92046-1174	1
BEARING-NEEDLE,NTBR22356E01 (Ref # 92046A)	92046-1240	1
SEAL,SDO29X35X4.5 (Ref # 92093)	92093-1434	1
SEAL,SDO22X29X5 (Ref # 92093A)	92093-1435	1
COLLAR (Ref # 92143)	92143-1676	1
COLLAR,6.5X14X24 (Ref # 92143A)	92143-1867	1
COLLAR,17.1X29X7.5 (Ref # 92152)	92152-1137	1
BOLT,8X56 (Ref # 92153)	92153-0620	1
SCREW,5X8 (Ref # 92172)	92172-0119	1