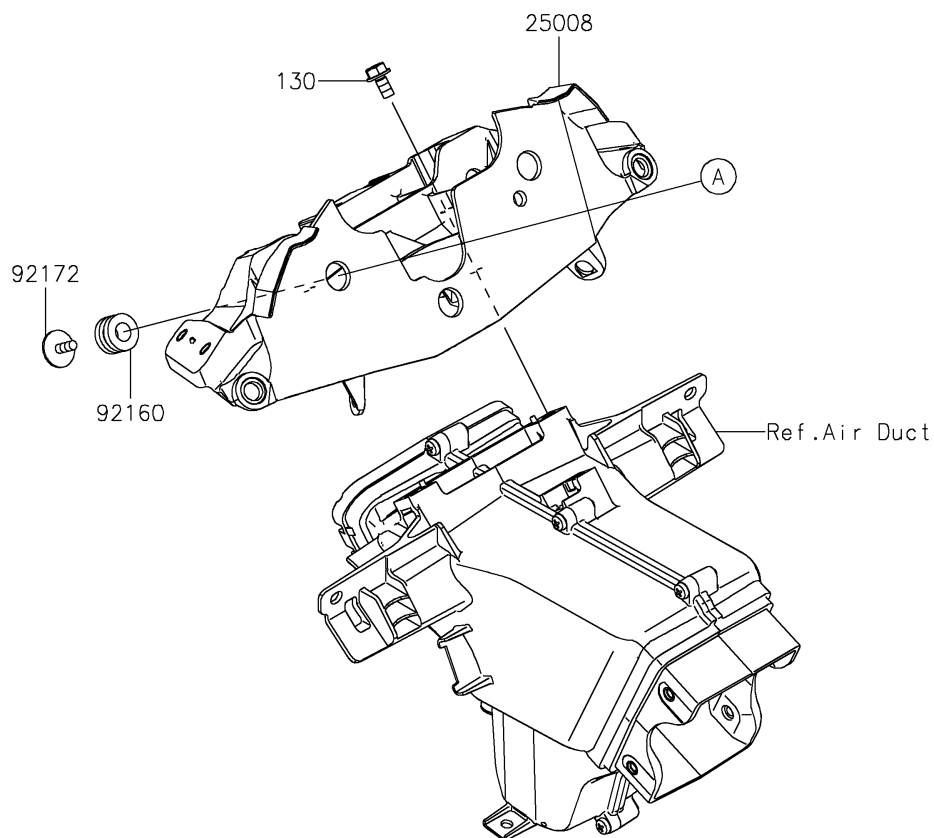
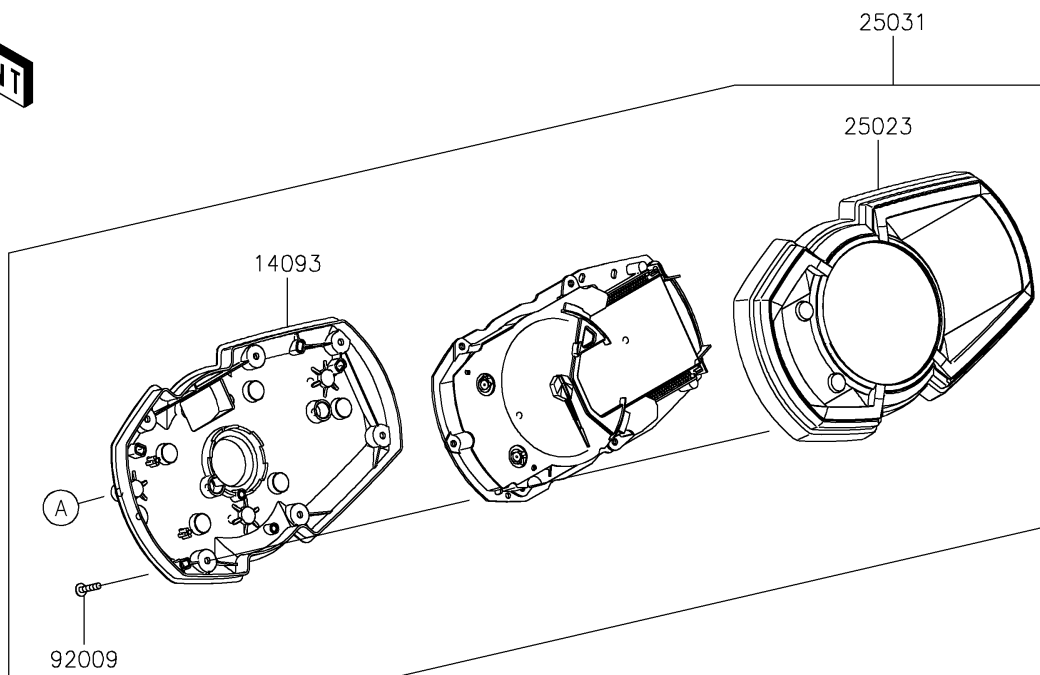


# 2019 NINJA® ZX™ -6R KRT EDITION

## PARTS DIAGRAM

Meter(s)

F2530



# 2019 NINJA® ZX™ -6R KRT EDITION

## PARTS LIST

### Meter(s)

| ITEM NAME                            | PART NUMBER | QUANTITY |
|--------------------------------------|-------------|----------|
| COVER,METER,LWR (Ref # 14093)        | 14093-0513  | 1        |
| BRACKET-METER (Ref # 25008)          | 25008-0047  | 1        |
| COVER-METER CASE (Ref # 25023)       | 25023-0141  | 1        |
| METER-ASSY,COMBINATION (Ref # 25031) | 25031-0788  | 1        |
| SCREW,TAPPING,3X16 (Ref # 92009)     | 92009-1391  | 9        |
| DAMPER,10X20X12 (Ref # 92160)        | 92160-1167  | 3        |
| SCREW,TAPPING,WP,5X14 (Ref # 92172)  | 92172-0441  | 3        |
| BOLT-FLANGED,6X12 (Ref # 130)        | 130BA0612   | 3        |