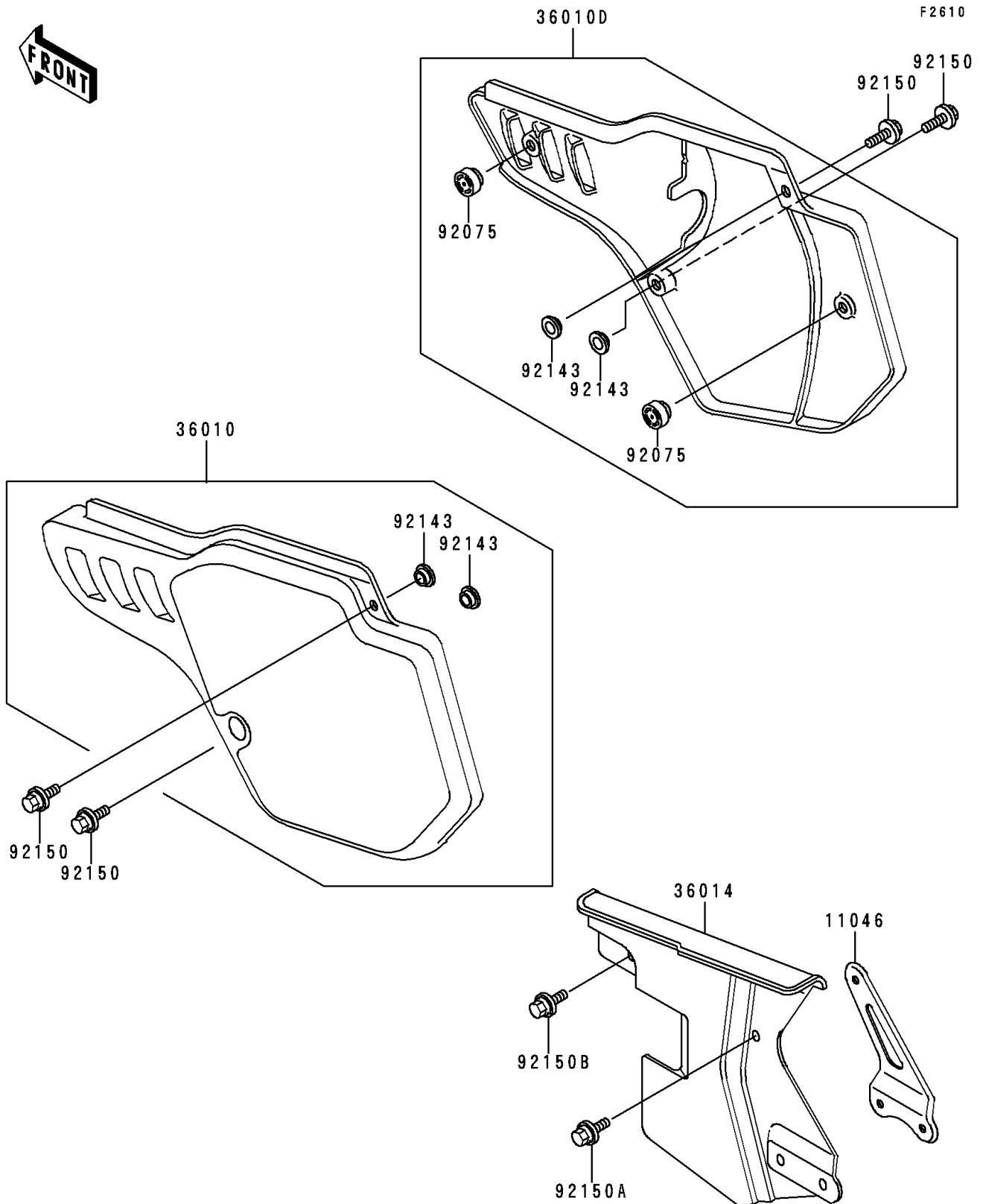


# 1994 KDX200 PARTS DIAGRAM

Side Cover/Chain Case



# 1994 KDX200 PARTS LIST

## Side Cover/Chain Case

ITEM NAME	PART NUMBER	QUANTITY
BRACKET,CHAIN CASE (Ref # 11046)	11046-1411	1
COVER-SIDE,LH,L.GREEN (Ref # 36010)	36010-5023-6W	1
COVER-SIDE,RH,L.GREEN (Ref # 36010D)	36010-5187-6W	1
CASE-CHAIN (Ref # 36014)	36014-1154	1
DAMPER (Ref # 92075)	92075-1598	2
COLLAR (Ref # 92143)	92143-1196	4
BOLT,6X20 (Ref # 92150)	92150-1339	4
BOLT,6X12 (Ref # 92150A)	92150-1435	1
BOLT,FLANGED,6X16 (Ref # 92150B)	92150-1506	1