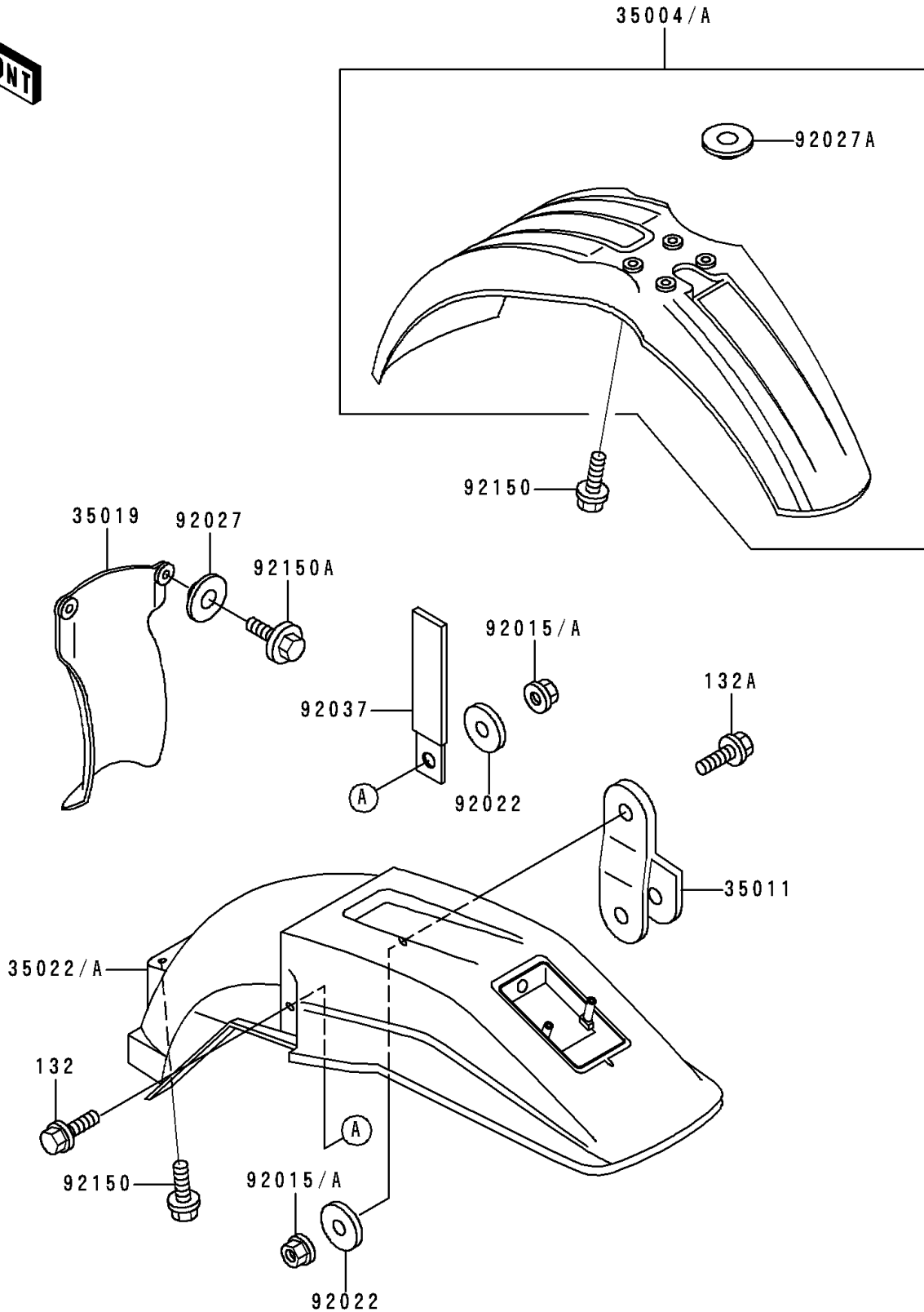


1994 KDX200 PARTS DIAGRAM

Fender

F2170



1994 KDX200 PARTS LIST

Fender

| ITEM NAME | PART NUMBER | QUANTITY |
|---|---------------|----------|
| BOLT-FLANGED-SMALL (Ref # 132) | 132G0645 | 1 |
| BOLT-FLANGED-SMALL (Ref # 132A) | 132G0650 | 1 |
| FENDER-FRONT,L.GREEN (Ref # 35004A) | 35004-1297-6W | 1 |
| STAY,MUFFLER (Ref # 35011) | 35011-1534 | 1 |
| FLAP,AIR FILTER (Ref # 35019) | 35019-1159 | 1 |
| WASHER,6.5X20X1.6 (Ref # 92022) | 92022-125 | 2 |
| COLLAR (Ref # 92027) | 92027-1794 | 2 |
| COLLAR (Ref # 92027A) | 92027-1936 | 4 |
| CLAMP,WIRING HARNESS (Ref # 92037) | 92037-1069 | 1 |
| BOLT,6X20 (Ref # 92150) | 92150-1339 | 6 |
| BOLT,FLANGED,6X16 (Ref # 92150A) | 92150-1506 | 2 |
| FENDER-COMP-REAR,L.GREEN (Ref # 35022) | 35022-1258-6W | 1 |
| FENDER-COMP-REAR,L.GREEN (Ref # 35022A) | 35022-1259-6W | 1 |
| NUT,FLANGED,6MM (Ref # 92015) | 92015-1078 | 2 |
| NUT,FLANGED,6MM (Ref # 92015A) | 92015-1699 | 2 |