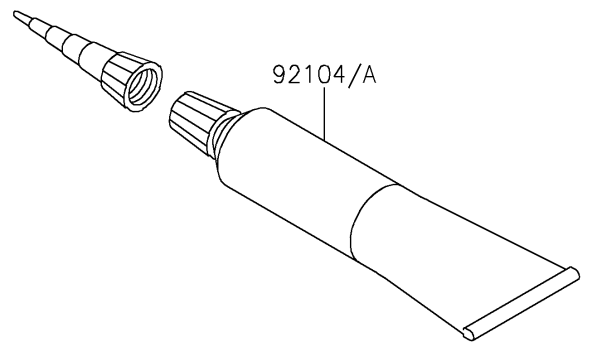
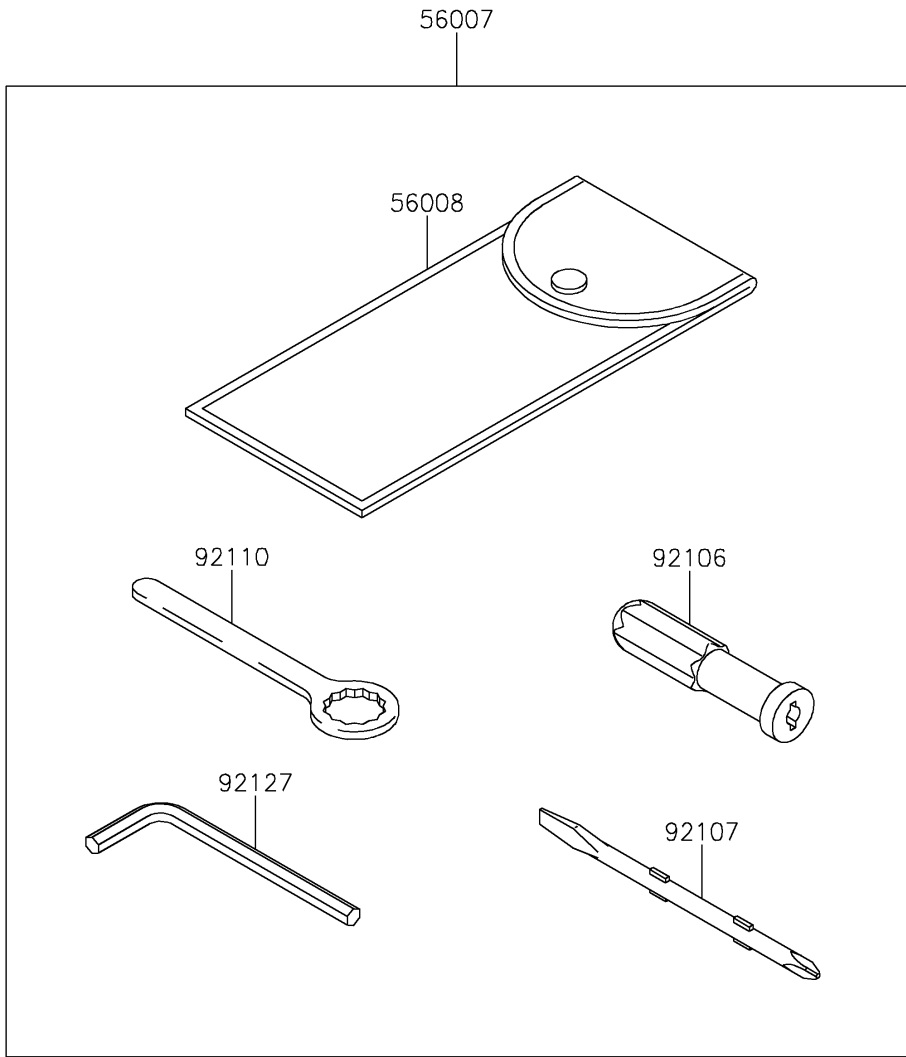


# 2025 NINJA® 1100SX SE ABS PARTS DIAGRAM

Owner's Tools

F2810



## 2025 NINJA® 1100SX SE ABS PARTS LIST

### Owner's Tools

ITEM NAME	PART NUMBER	QUANTITY
TOOL-KIT (Ref # 56007)	56007-0167	1
BAG,TOOL (Ref # 56008)	56008-0577	1
GASKET-LIQUID,TB1211F,CLEAR (Ref # 92104)	92104-0004	1
GASKET-LIQUID,TB1216B,BLACK (Ref # 92104A)	92104-1064	1
GRIP-SCREW DRIVER (Ref # 92106)	92106-1001	1
TOOL-DRIVER,#2PHILLIPS&SLOT (Ref # 92107)	92107-1051	1
TOOL-WRENCH,BOX END,19MM (Ref # 92110)	92110-0060	1
TOOL-WRENCH,ALLEN,6MM (Ref # 92127)	92127-003	1