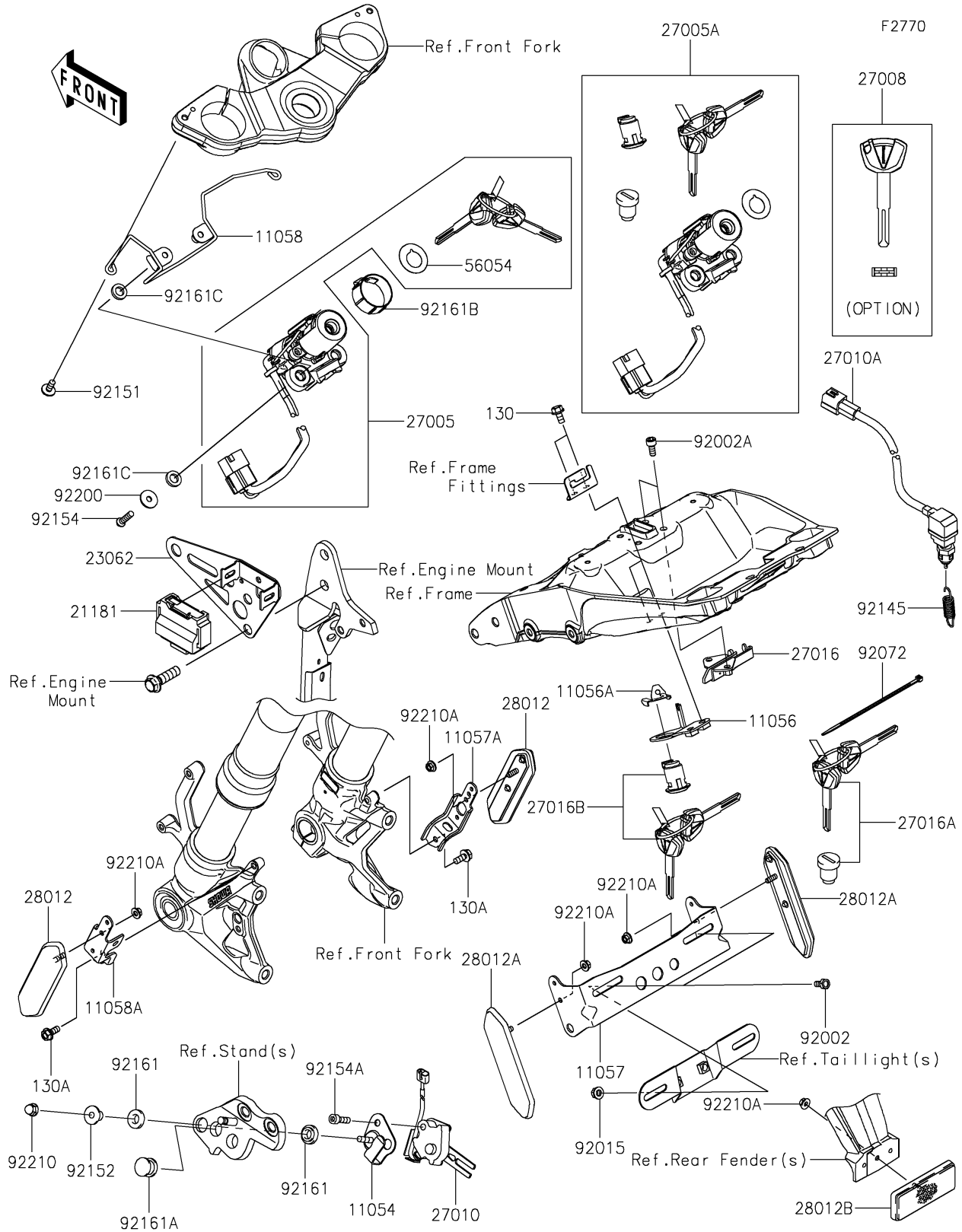


# 2025 NINJA® 1100SX SE ABS PARTS DIAGRAM

Ignition Switch/Locks/Reflectors



## 2025 NINJA® 1100SX SE ABS PARTS LIST

### Ignition Switch/Locks/Reflectors

ITEM NAME	PART NUMBER	QUANTITY
BRACKET,SIDE STAND SWITCH (Ref # 11054)	11054-1904	1
BRACKET,KEY CYLINDER (Ref # 11056)	11056-0264	1
BRACKET (Ref # 11056A)	11056-1084	1
BRACKET,RR,REFLECTOR (Ref # 11057)	11057-2748	1
BRACKET,REFLECTOR,RH (Ref # 11057A)	11057-7295	1
BRACKET,IGNITION SWITCH (Ref # 11058)	11058-1358	1
BRACKET,REFLECTOR,LH (Ref # 11058A)	11058-2247	1
AMPLIFIER,IMMOBI (Ref # 21181)	21181-0029	1
BRACKET-COMP,REGULATOR (Ref # 23062)	23062-0902	1
SWITCH-ASSY-IGNITION (Ref # 27005)	27005-0725	1
SWITCH-ASSY-IGNITION (Ref # 27005A)	27005-5202	1
KEY-LOCK,BLANK (Ref # 27008)	27008-0662	1
SWITCH,SIDE STAND (Ref # 27010)	27010-0112	1
SWITCH,CRUISE CONTROL CANCEL (Ref # 27010A)	27010-0923	1
LOCK-ASSY,SEAT STRIKER (Ref # 27016)	27016-1115	1
LOCK-ASSY,TANK CAP (Ref # 27016A)	27016-5425	1
LOCK-ASSY,SEAT (Ref # 27016B)	27016-5427	1
REFLECTOR-REFLEX,CCC (Ref # 28012)	28012-0045	2
REFLECTOR-REFLEX,RED,CCC (Ref # 28012A)	28012-0046	2
REFLECTOR-REFLEX (Ref # 28012B)	28012-1077	1
MARK,IGNITION SWITCH (Ref # 56054)	56054-3854	1
BOLT,6X12 (Ref # 92002)	92002-1132	2
BOLT,SOCKET,6X14 (Ref # 92002A)	92002-1592	2
NUT,FLANGED,6MM (Ref # 92015)	92015-1367	2
BAND,L=148 (Ref # 92072)	92072-3768	1
SPRING,BRAKE LAMP SWITCH (Ref # 92145)	92145-1902	1
BOLT,SOCKET,6X14 (Ref # 92151)	92151-1654	2
COLLAR (Ref # 92152)	92152-1074	1
BOLT,TORX,6X24 (Ref # 92154)	92154-1129	2

## 2025 NINJA® 1100SX SE ABS PARTS LIST

### Ignition Switch/Locks/Reflectors

ITEM NAME	PART NUMBER	QUANTITY
BOLT,SOCKET,6X22 (Ref # 92154A)	92154-1898	1
DAMPER (Ref # 92161)	92161-0117	2
DAMPER (Ref # 92161A)	92161-0118	1
DAMPER (Ref # 92161B)	92161-1506	1
DAMPER,10X17X3 (Ref # 92161C)	92161-1507	4
WASHER,6X20X1.6 (Ref # 92200)	92200-0212	2
NUT,CAP,6MM (Ref # 92210)	92210-0003	1
NUT,FLANGED,5MM (Ref # 92210A)	92210-0007	5
BOLT-FLANGED,6X12 (Ref # 130)	130BA0612	2
BOLT-FLANGED,6X14 (Ref # 130A)	130BB0614	2