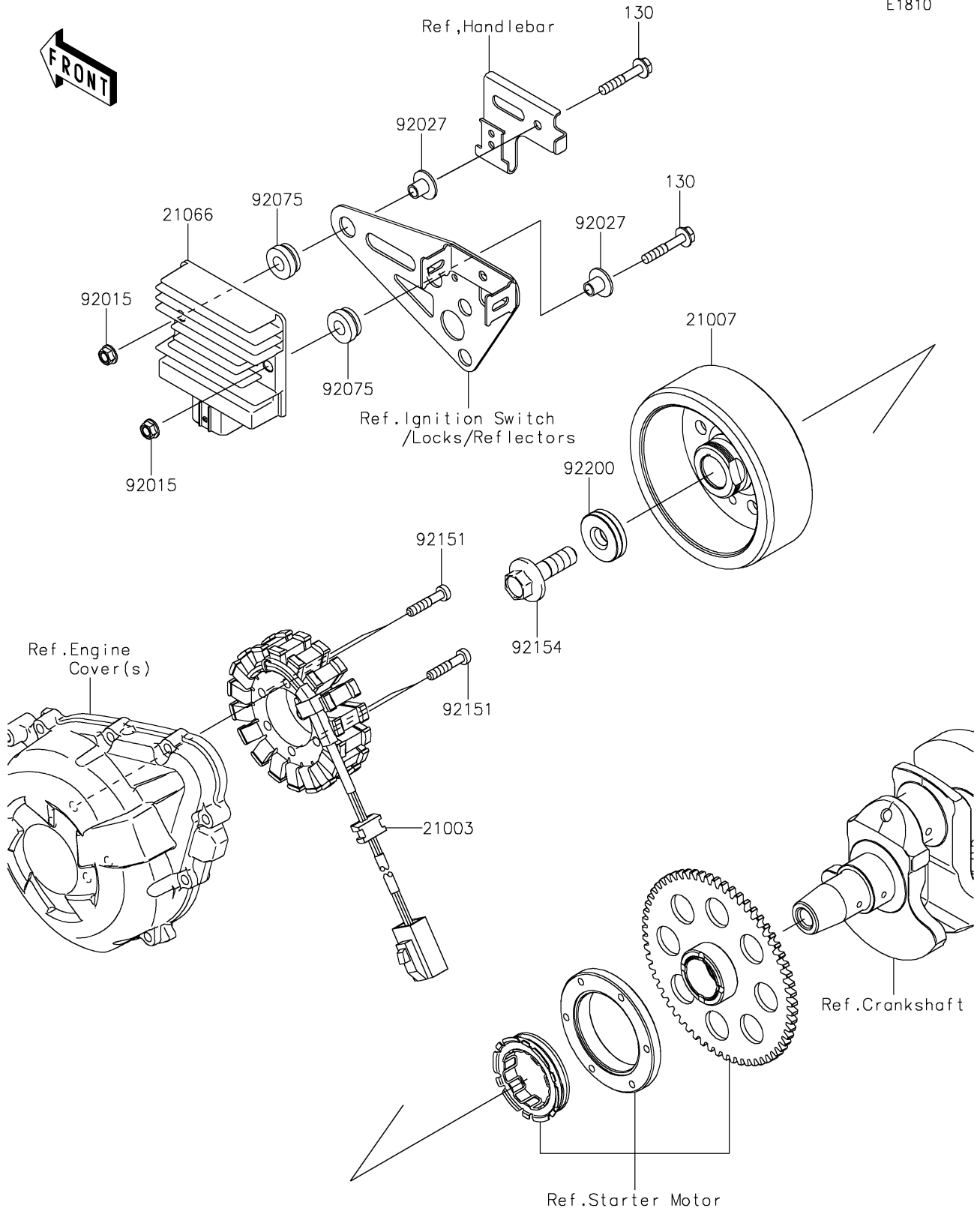


2025 NINJA® 1100SX SE ABS PARTS DIAGRAM

Generator

E1810



2025 NINJA® 1100SX SE ABS PARTS LIST

Generator

ITEM NAME	PART NUMBER	QUANTITY
STATOR (Ref # 21003)	21003-0198	1
ROTOR (Ref # 21007)	21007-0691	1
REGULATOR-VOLTAGE (Ref # 21066)	21066-0756	1
NUT,FLANGED,6MM,BLACK (Ref # 92015)	92015-1233	2
COLLAR,FLANGED,L=12.1,BLACK (Ref # 92027)	92027-1651	2
DAMPER (Ref # 92075)	92075-277	2
BOLT,6X30 (Ref # 92151)	92151-1626	4
BOLT,FLANGED,12X40 (Ref # 92154)	92154-2650	1
WASHER,12X34X9 (Ref # 92200)	92200-0369	1
BOLT-FLANGED,6X35 (Ref # 130)	130BA0635	2