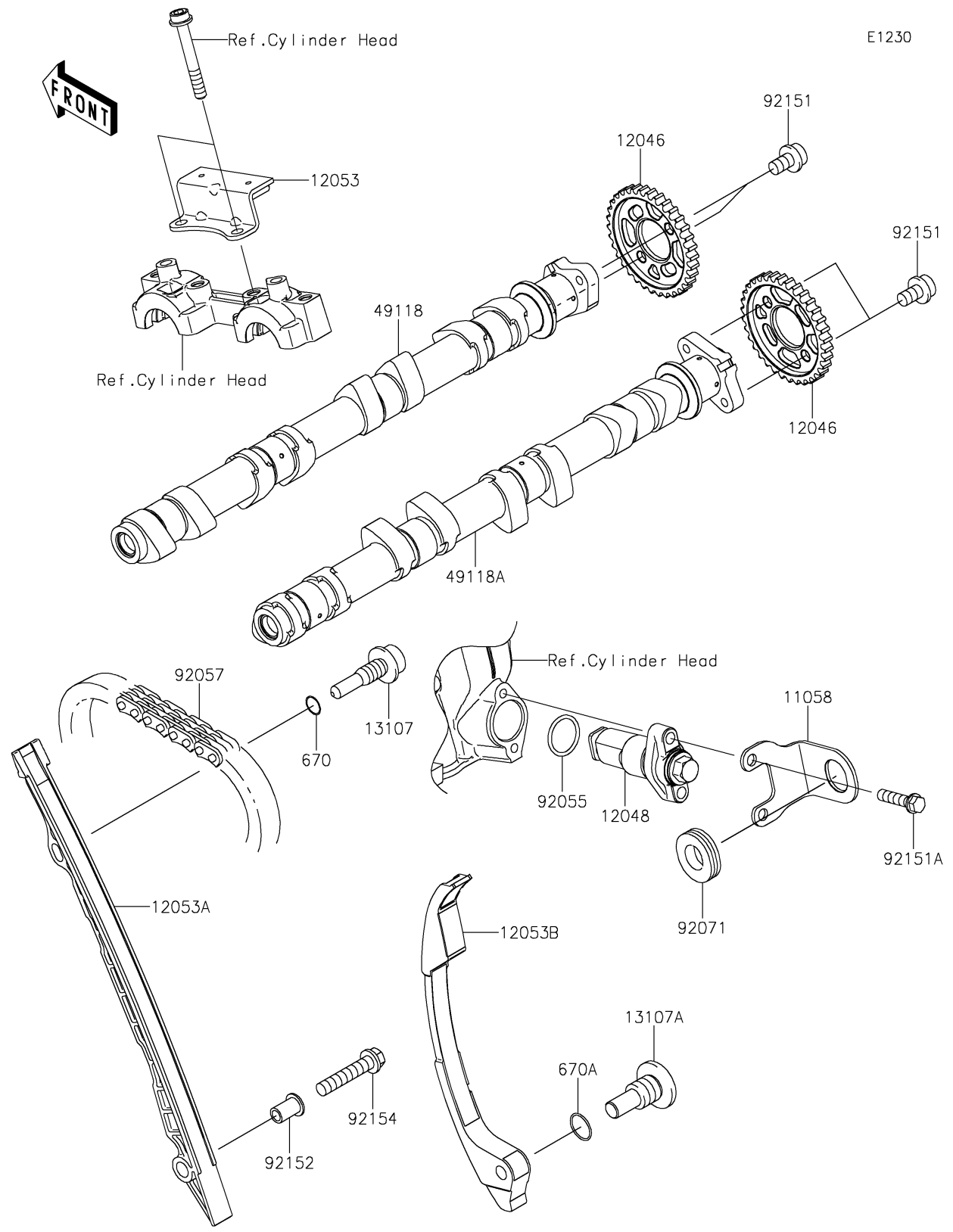


2025 NINJA® 1100SX SE ABS PARTS DIAGRAM

Camshaft(s)/Tensioner



E1230

2025 NINJA® 1100SX SE ABS PARTS LIST

Camshaft(s)/Tensioner

| ITEM NAME | PART NUMBER | QUANTITY |
|--|-------------|----------|
| BRACKET (Ref # 11058) | 11058-1159 | 1 |
| SPROCKET,34T (Ref # 12046) | 12046-0646 | 2 |
| TENSIONER-ASSY (Ref # 12048) | 12048-0080 | 1 |
| GUIDE-CHAIN,UPP (Ref # 12053) | 12053-0163 | 1 |
| GUIDE-CHAIN,FR (Ref # 12053A) | 12053-0342 | 1 |
| GUIDE-CHAIN,RR (Ref # 12053B) | 12053-0343 | 1 |
| SHAFT,CHAIN GUIDE (Ref # 13107) | 13107-0157 | 1 |
| SHAFT (Ref # 13107A) | 13107-1376 | 1 |
| CAMSHAFT-COMP,EXHAUST (Ref # 49118) | 49118-1302 | 1 |
| CAMSHAFT-COMP,INTAKE (Ref # 49118A) | 49118-1303 | 1 |
| RING-O,18.8X1.9 (Ref # 92055) | 92055-086 | 1 |
| CHAIN,CAM,98XRH2015-128M (Ref # 92057) | 92057-0901 | 1 |
| GROMMET (Ref # 92071) | 92071-1043 | 1 |
| BOLT,SOCKET,6X10 (Ref # 92151) | 92151-1829 | 4 |
| BOLT,FLANGED-SMALL,6X25 (Ref # 92151A) | 92151-1930 | 2 |
| COLLAR (Ref # 92152) | 92152-1167 | 1 |
| BOLT,FLANGED,6X30 (Ref # 92154) | 92154-1942 | 1 |
| O RING,9MM (Ref # 670) | 670D1509 | 1 |
| O RING,14MM (Ref # 670A) | 670D2014 | 1 |