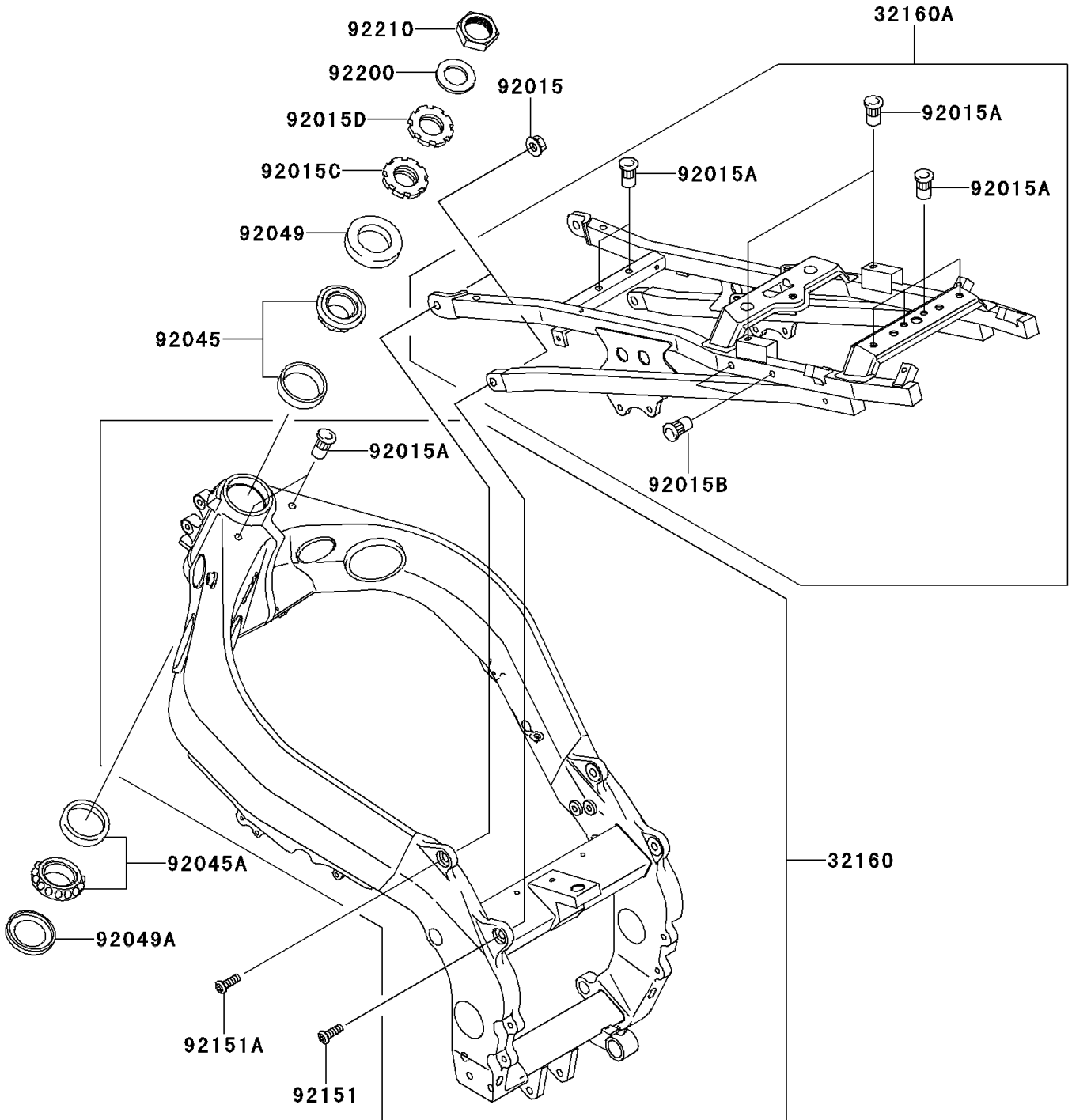


2000 Ninja® ZX™-9R PARTS DIAGRAM

Frame

F2120



2000 Ninja® ZX™-9R PARTS LIST

Frame

ITEM NAME	PART NUMBER	QUANTITY
FRAME-COMP,AL,FR,SILVER (Ref # 32160)	32160-1617-TX	1
FRAME-COMP,AL,RR,SILVER (Ref # 32160A)	32160-1662-TX	1
NUT,10MM (Ref # 92015)	92015-1021	4
NUT,POP,6MM,L=15 (Ref # 92015A)	92015-1791	10
NUT,POP,6MM,L=16.5 (Ref # 92015B)	92015-1792	2
NUT,25MM (Ref # 92015C)	92015-1803	1
NUT,25MM (Ref # 92015D)	92015-1810	1
BEARING-BALL,SAC2547-2 (Ref # 92045)	92045-1382	1
BEARING-BALL,SF07A17PX1V1 (Ref # 92045A)	92045-1384	1
SEAL-OIL,XXMH33 70 6.4J-A (Ref # 92049)	92049-1313	1
SEAL-OIL,XXMHE 43 55 4J (Ref # 92049A)	92049-1383	1
BOLT,SOCKET,10X30 (Ref # 92151)	92151-1782	2
BOLT,SOCKET,10X35 (Ref # 92151A)	92151-1786	2
WASHER,22.5X36X3.2 (Ref # 92200)	92200-1126	1
NUT,22MM (Ref # 92210)	92210-1202	1