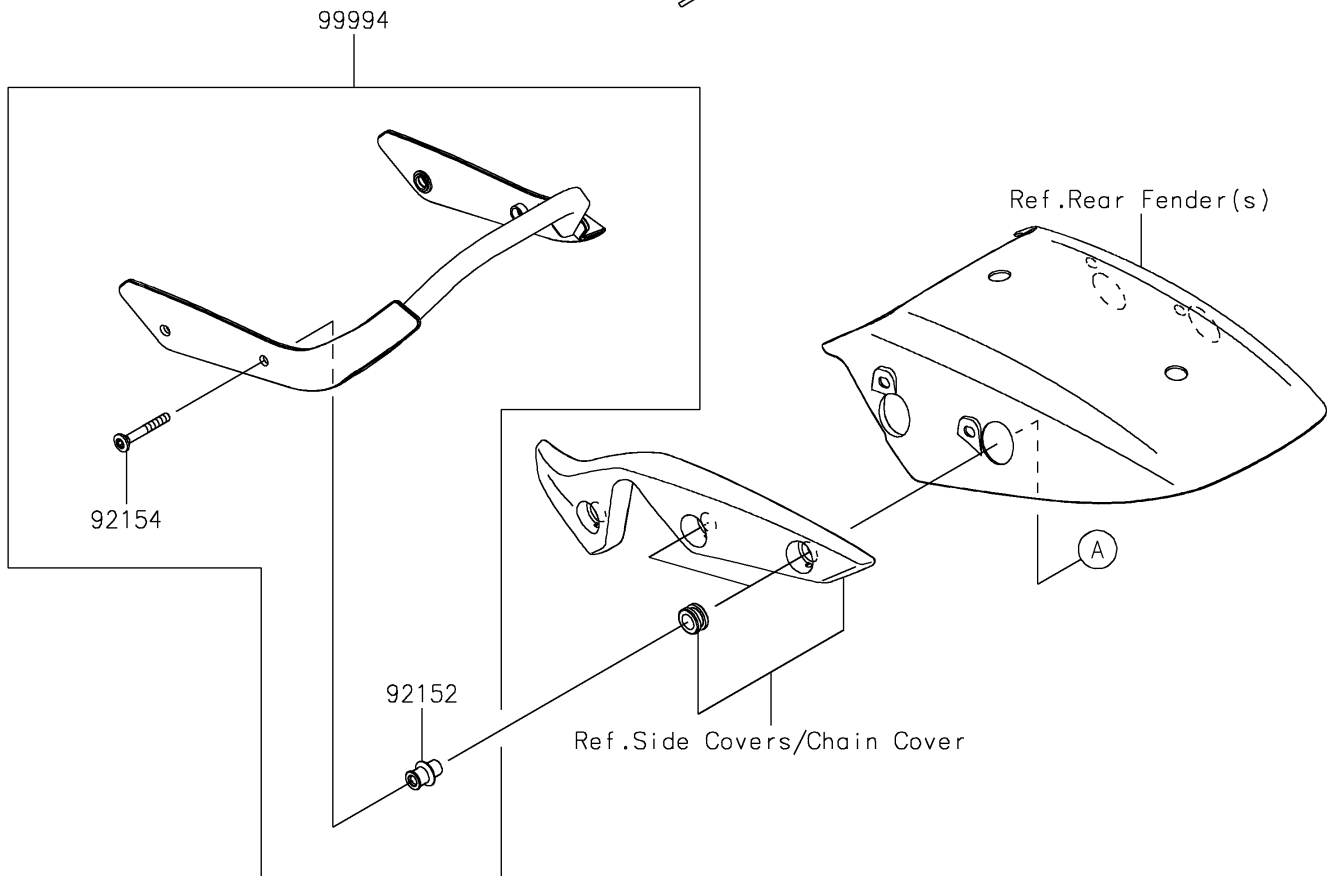
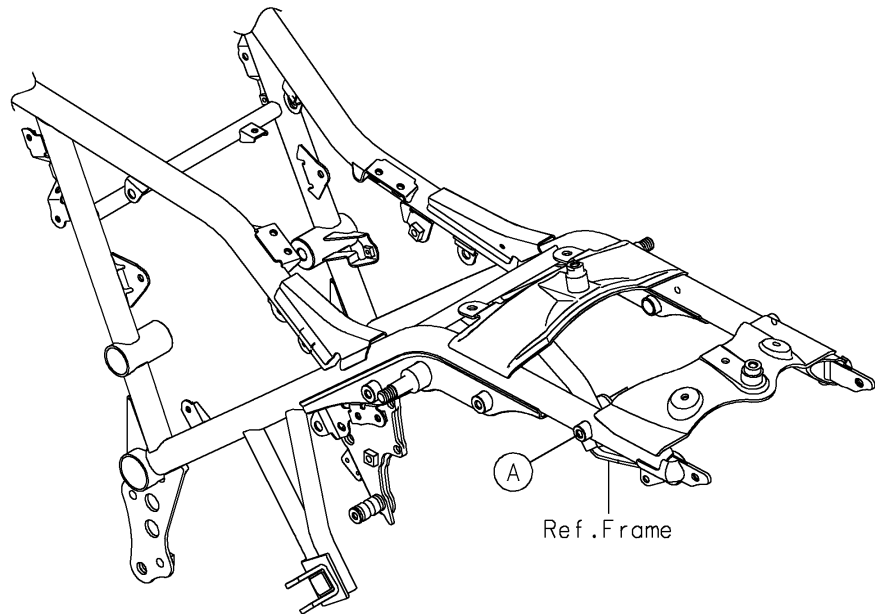


2024 Eliminator® SE PARTS DIAGRAM

Accessory(Grab Bar)

F2910D



2024 Eliminator® SE PARTS LIST

Accessory(Grab Bar)

| ITEM NAME | PART NUMBER | QUANTITY |
|--------------------------------|-------------|----------|
| COLLAR (Ref # 92152) | 92152-2947 | 4 |
| BOLT,SOCKET,8X60 (Ref # 92154) | 92154-7060 | 4 |
| GRAB BAR (Ref # 99994) | 99994-1909 | 1 |