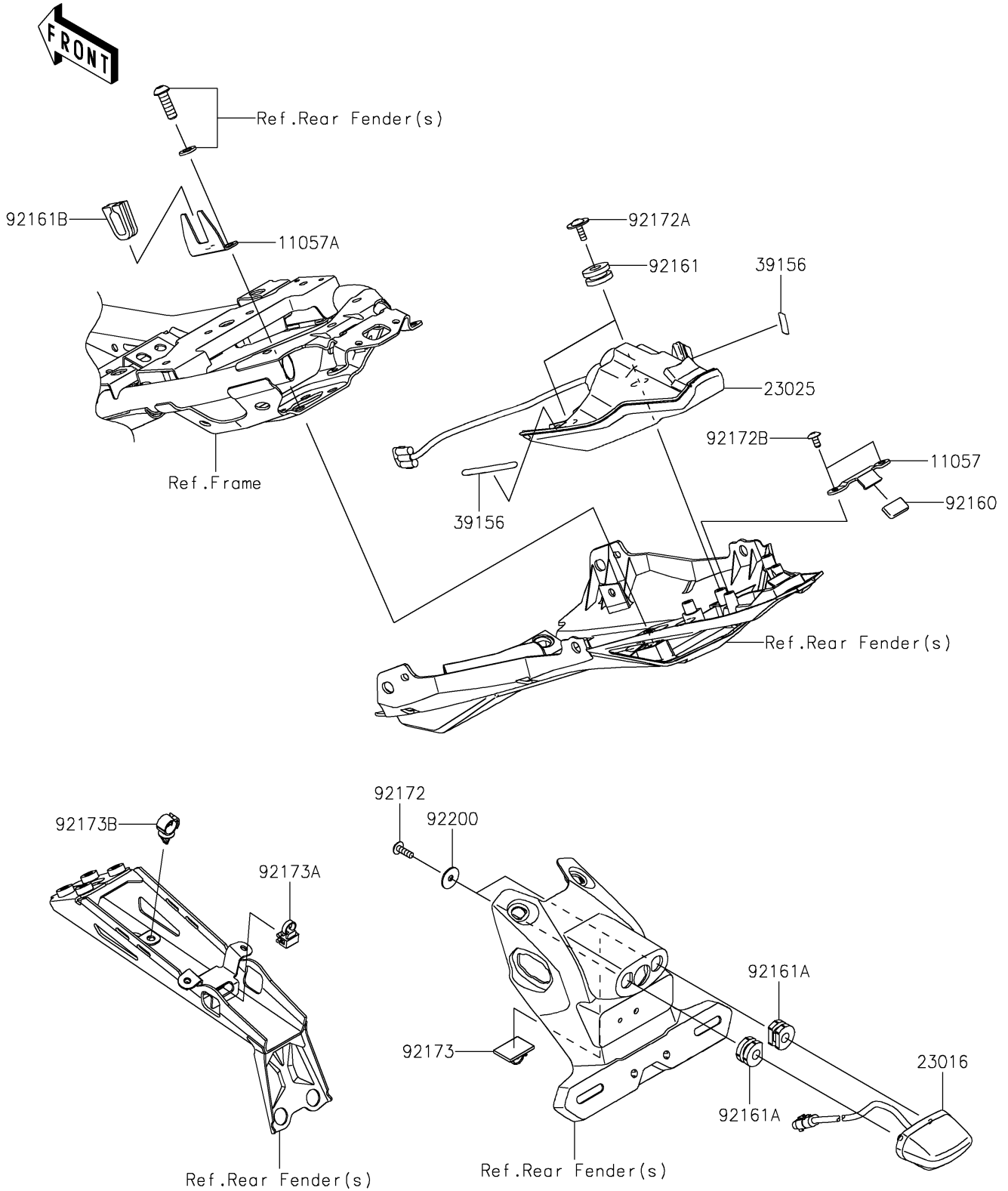


2025 Ninja ZX-4R ABS PARTS DIAGRAM

Taillight(s)

F2720



2025 Ninja ZX-4R ABS PARTS LIST

Taillight(s)

| ITEM NAME | PART NUMBER | QUANTITY |
|-------------------------------------|-------------|----------|
| BRACKET (Ref # 11057) | 11057-1214 | 1 |
| BRACKET (Ref # 11057A) | 11057-7802 | 1 |
| LAMP-ASSY,LICENSE,LED (Ref # 23016) | 23016-0637 | 1 |
| LAMP-TAIL,LED (Ref # 23025) | 23025-0400 | 1 |
| PAD,6X50 (Ref # 39156) | 39156-2421 | 2 |
| DAMPER (Ref # 92160) | 92160-1190 | 1 |
| DAMPER (Ref # 92161) | 92161-0163 | 2 |
| DAMPER (Ref # 92161A) | 92161-0776 | 2 |
| DAMPER,RR FENDER (Ref # 92161B) | 92161-1984 | 1 |
| SCREW,TAPPING,5X16 (Ref # 92172) | 92172-0427 | 2 |
| SCREW,5X16 (Ref # 92172A) | 92172-1215 | 2 |
| SCREW,CROS,5X10 (Ref # 92172B) | 92172-1255 | 2 |
| CLAMP (Ref # 92173) | 92173-1061 | 1 |
| CLAMP (Ref # 92173A) | 92173-1578 | 1 |
| CLAMP (Ref # 92173B) | 92173-1951 | 1 |
| WASHER,5.5X20X1.2 (Ref # 92200) | 92200-0585 | 2 |