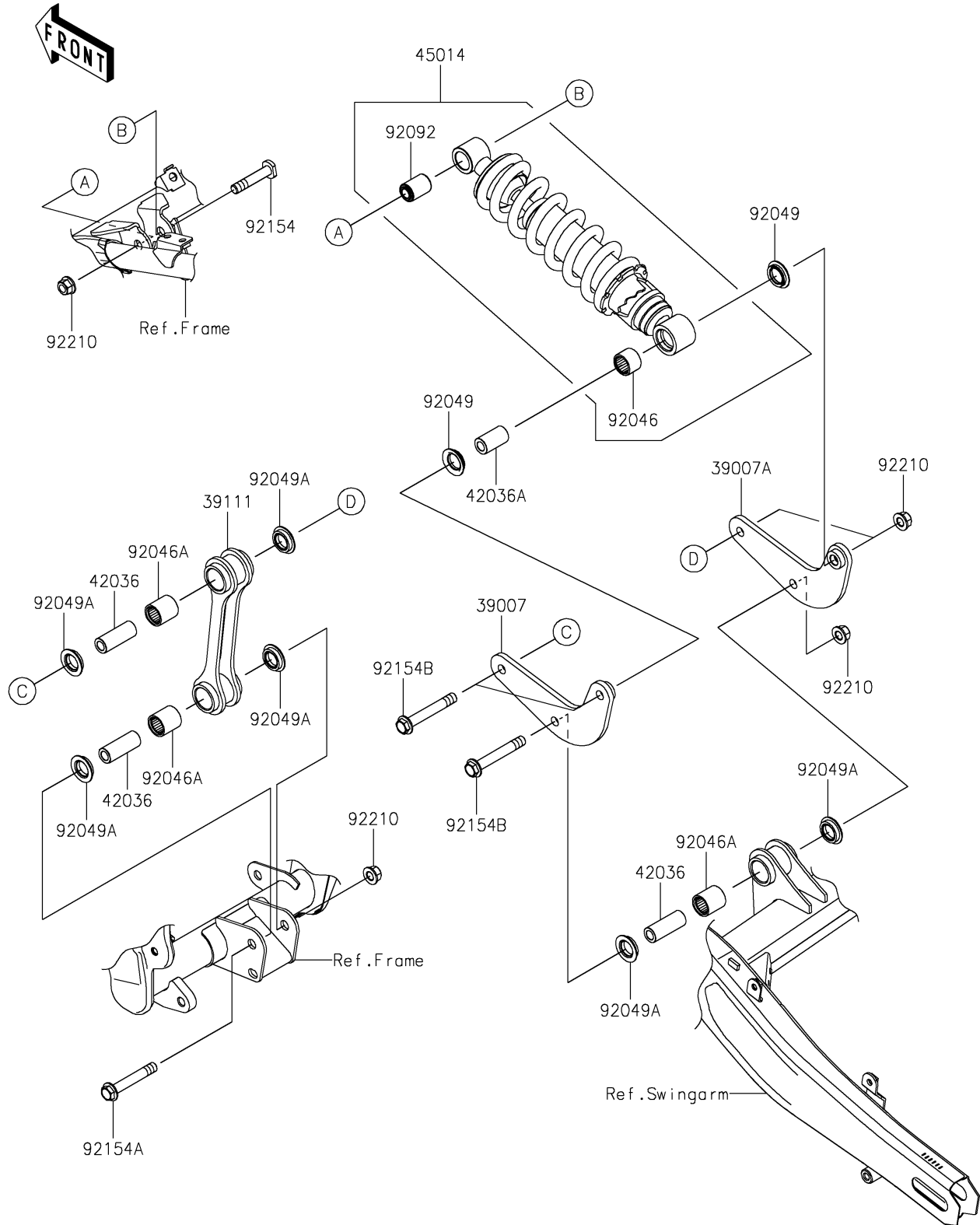


# 2025 Ninja ZX-4R ABS PARTS DIAGRAM

Suspension/Shock Absorber

F2151



## 2025 Ninja ZX-4R ABS PARTS LIST

### Suspension/Shock Absorber

| ITEM NAME                                 | PART NUMBER | QUANTITY |
|---|-------------|----------|
| ARM-SUSP,LH (Ref # 39007)                 | 39007-0507  | 1        |
| ARM-SUSP,RH (Ref # 39007A)                | 39007-0508  | 1        |
| ROD-TIE (Ref # 39111)                     | 39111-0392  | 1        |
| SLEEVE,10.1X17X44.5 (Ref # 42036)         | 42036-0718  | 3        |
| SLEEVE,10.1X18X32 (Ref # 42036A)          | 42036-1344  | 1        |
| SHOCKABSORBER (Ref # 45014)               | 45014-0782  | 1        |
| BEARING-NEEDLE,SFYZM182417 (Ref # 92046)  | 92046-1272  | 1        |
| BEARING-NEEDLE,SFYZM172425 (Ref # 92046A) | 92046-1273  | 3        |
| SEAL-OIL (Ref # 92049)                    | 92049-0133  | 2        |
| SEAL-OIL,MHA17245.7F (Ref # 92049A)       | 92049-0850  | 6        |
| BUSHING-RUBBER (Ref # 92092)              | 92092-0041  | 1        |
| BOLT,10X50 (Ref # 92154)                  | 92154-2165  | 1        |
| BOLT,FLANGED,10X63 (Ref # 92154A)         | 92154-4256  | 1        |
| BOLT,FLANGED,10X70 (Ref # 92154B)         | 92154-4434  | 3        |
| NUT,LOCK,FLANGED,10MM (Ref # 92210)       | 92210-1139  | 5        |