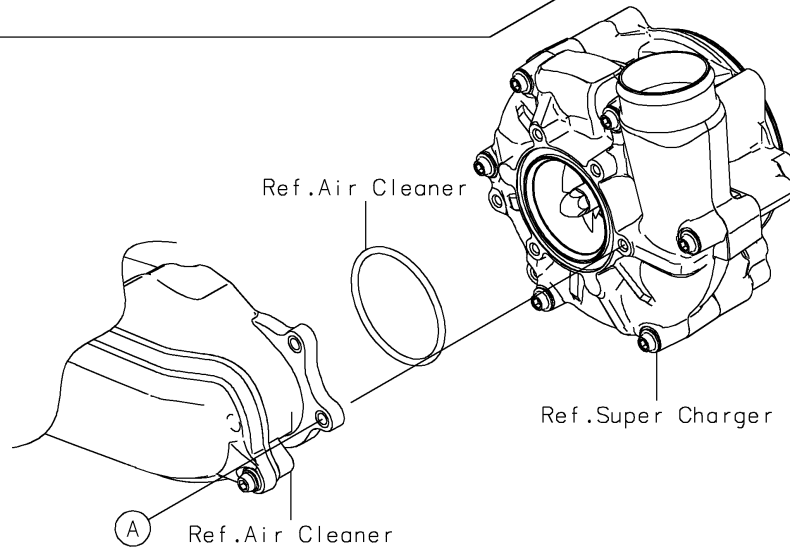
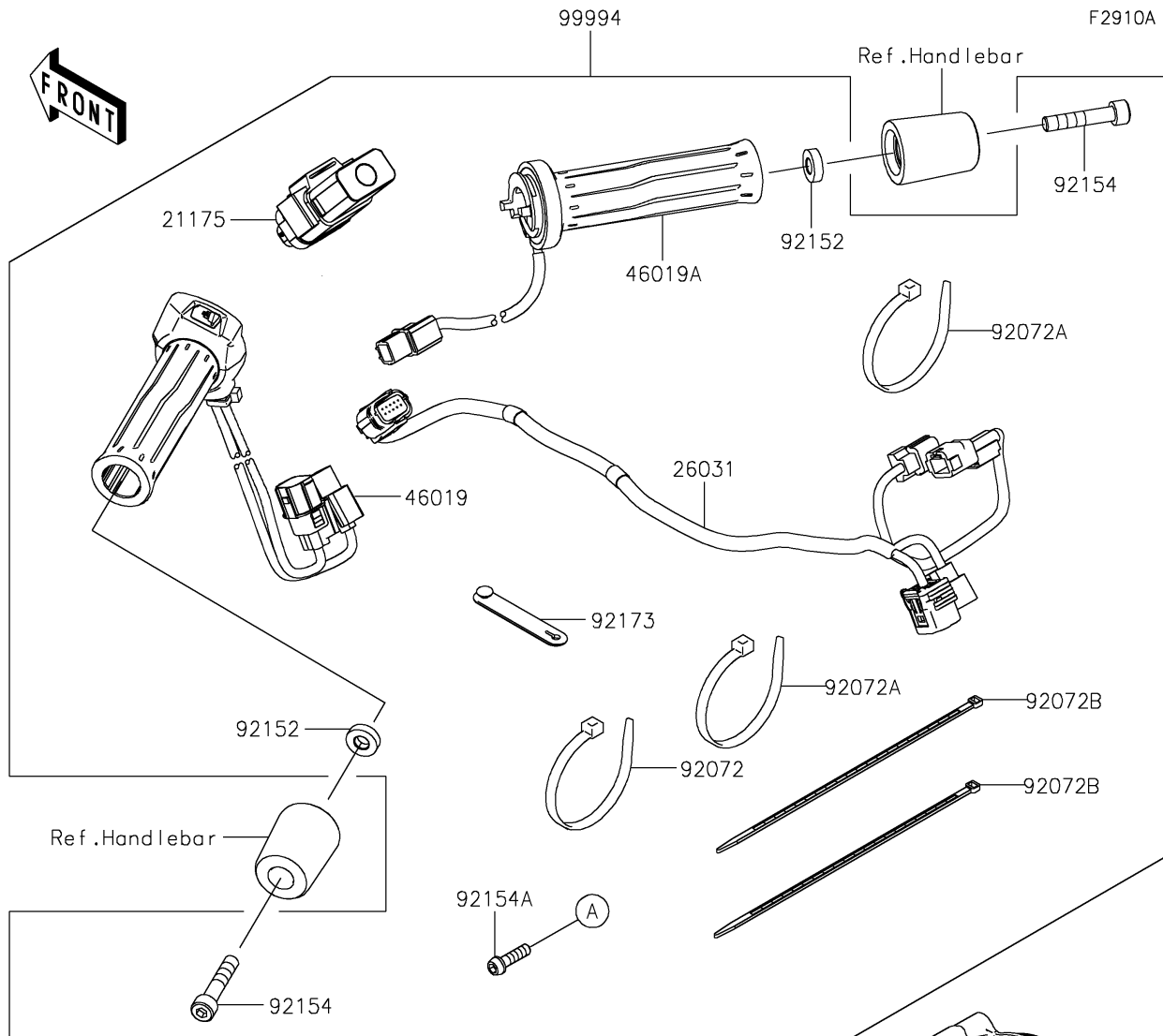


# 2023 Z H2 SE

## PARTS DIAGRAM

### Accessory(Grip Heater)



# 2023 Z H2 SE

## PARTS LIST

### Accessory(Grip Heater)

ITEM NAME	PART NUMBER	QUANTITY
CONTROL UNIT-ELECTRONIC,GH (Ref # 21175)	21175-1329	1
HARNESS (Ref # 26031)	26031-2895	1
GRIP-ASSY,GRIP HEATER,LH (Ref # 46019)	46019-0112	1
GRIP-ASSY,GRIP HEATER,RH (Ref # 46019A)	46019-0113	1
BAND (Ref # 92072)	92072-0904	1
BAND,L=365 (Ref # 92072A)	92072-1197	2
BAND (Ref # 92072B)	92072-3851	2
COLLAR,8.2X18X5 (Ref # 92152)	92152-1848	2
BOLT,SOCKET,8X40 (Ref # 92154)	92154-1001	2
BOLT,SOCKET,6X22,MEC (Ref # 92154A)	92154-2736	3
CLAMP (Ref # 92173)	92173-2199	1
GRIP HEATER (Ref # 99994)	99994-1667	1