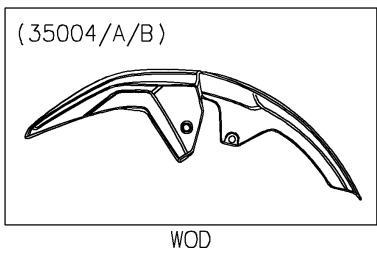
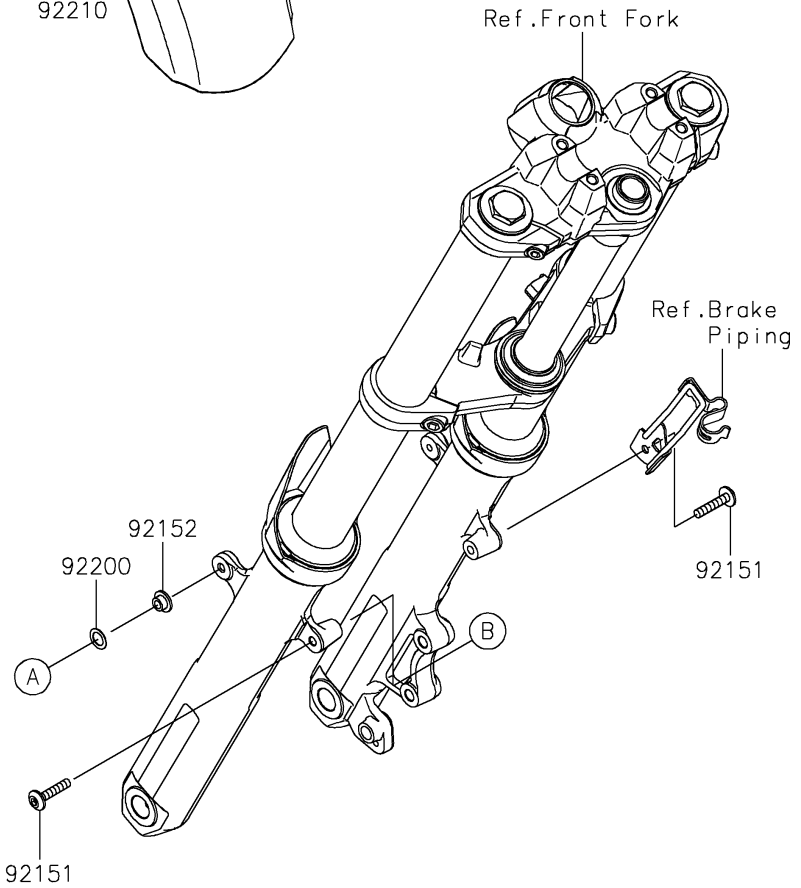
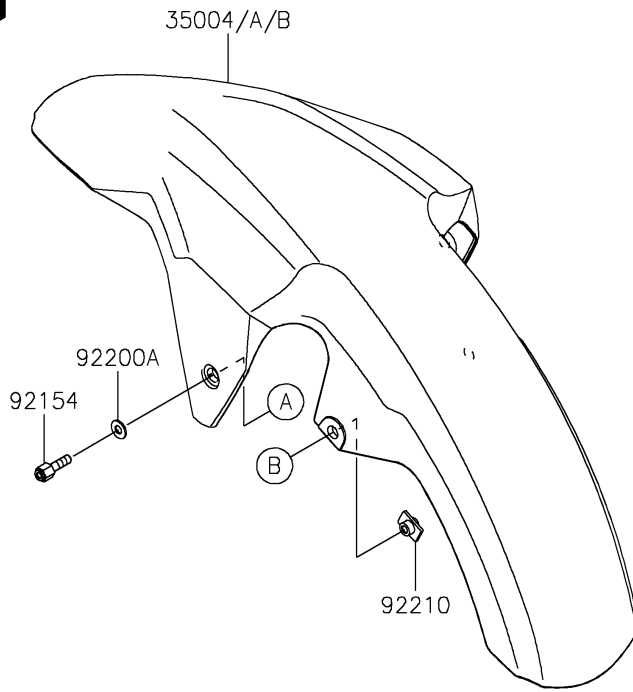


# 2023 Versys-X 300 ABS PARTS DIAGRAM

Front Fender(s)

F2171



## 2023 Versys-X 300 ABS PARTS LIST

### Front Fender(s)

ITEM NAME	PART NUMBER	QUANTITY
FENDER-FRONT,M.M.C.GRAY (Ref # 35004)	35004-0363-51B	1
FENDER-FRONT,M.O.BLUE (Ref # 35004A)	35004-0363-726	1
BOLT,SOCKET,6X30 (Ref # 92151)	92151-1605	2
COLLAR,6.2X16X6.6 (Ref # 92152)	92152-2348	2
BOLT,6X20 (Ref # 92154)	92154-2739	2
WASHER,10.4X15.9X0.5 (Ref # 92200)	92200-0157	2
WASHER,6.5X14X1.2 (Ref # 92200A)	92200-0964	2
NUT,6MM (Ref # 92210)	92210-1564	2