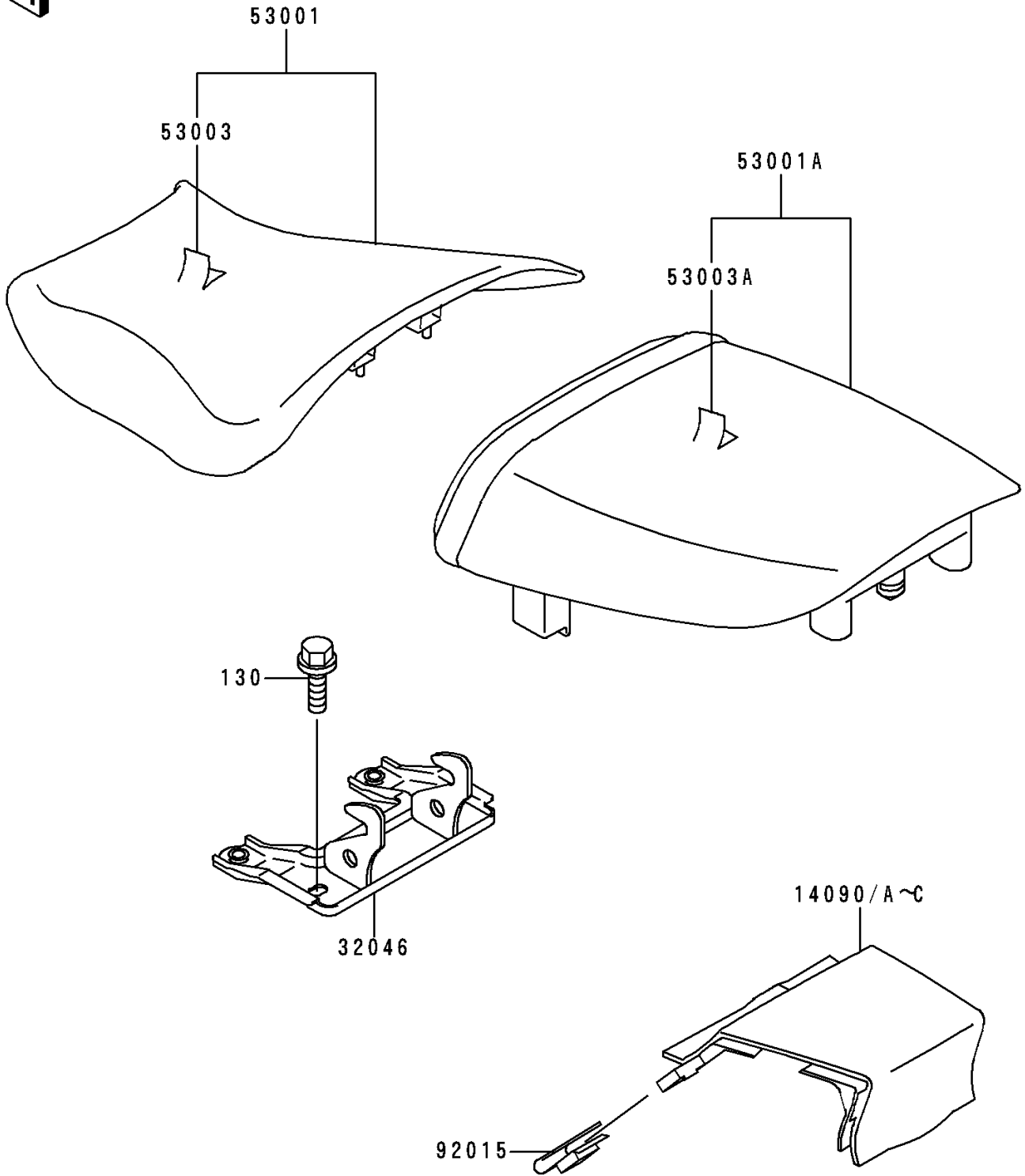


# 1994 Ninja® ZX™ -9R PARTS DIAGRAM

Seat

F2510



# 1994 Ninja® ZX™-9R PARTS LIST

## Seat

ITEM NAME	PART NUMBER	QUANTITY
BOLT-FLANGED (Ref # 130)	130J0610	2
COVER, TAIL, P.A. WHITE (Ref # 14090A)	14090-1365-R1	1
COVER, TAIL, P.G. GRAY (Ref # 14090B)	14090-1365-T8	1
BRACKET-SEAT, RR (Ref # 32046)	32046-1378	1
SEAT-ASSY, FR, BLACK (Ref # 53001)	53001-1724-MA	1
SEAT-ASSY, RR, W/BAND, BLACK (Ref # 53001A)	53001-1725-MA	1
LEATHER, FRONT SEAT, BLACK (Ref # 53003)	53003-1283-MA	1
LEATHER, REAR SEAT, BLACK (Ref # 53003A)	53003-1286-MA	1
NUT, 5MM (Ref # 92015)	92015-1798	2