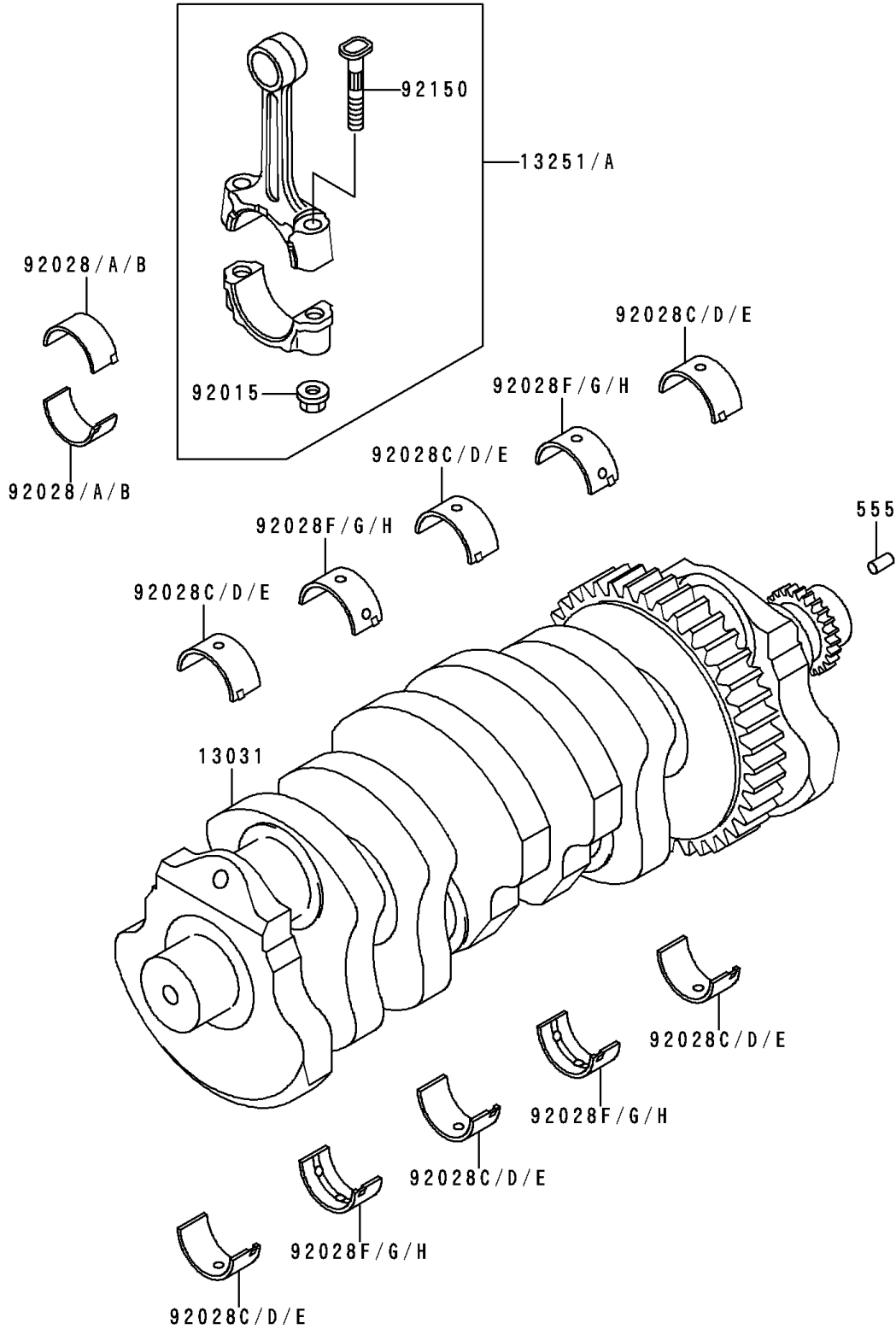


1995 Ninja® ZX™ -9R PARTS DIAGRAM

Crankshaft

E1321



1995 Ninja® ZX™ -9R PARTS LIST

Crankshaft

| ITEM NAME | PART NUMBER | QUANTITY |
|---|---------------|----------|
| PIN-SPRING,4X8 (Ref # 555) | 555A0408 | 1 |
| CRANKSHAFT-COMP (Ref # 13031) | 13031-1374 | 1 |
| ROD-ASSY-CONNECTING,I (Ref # 13251) | 13251-1105-II | 4 |
| ROD-ASSY-CONNECTING,J (Ref # 13251A) | 13251-1105-JJ | 4 |
| NUT,FLANGED,8MM (Ref # 92015) | 92015-1311 | 8 |
| BUSHING,CONNECTING ROD,BLUE (Ref # 92028) | 92028-1712 | 8 |
| BUSHING,CONNECTING ROD (Ref # 92028A) | 92028-1713 | AR |
| BUSHING,CONNECTING ROD,BROWN (Ref # 92028B) | 92028-1714 | AR |
| BUSHING,CRANK,#1,#3,#5,BLUE (Ref # 92028C) | 92028-1715 | 6 |
| BUSHING,CRANK,#1,#3,#5 (Ref # 92028D) | 92028-1716 | AR |
| BUSHING,CRANK,#1,#3,#5,BROWN (Ref # 92028E) | 92028-1717 | AR |
| BUSHING,CRANKSHAFT,#2,#4,BLUE (Ref # 92028F) | 92028-1718 | 4 |
| BUSHING,CRANKSHAFT,#2,#4 (Ref # 92028G) | 92028-1719 | AR |
| BUSHING,CRANKSHAFT,#2,#4,BROWN (Ref # 92028H) | 92028-1720 | AR |
| BOLT,CONNECTING ROD,8MM (Ref # 92150) | 92150-1216 | 8 |