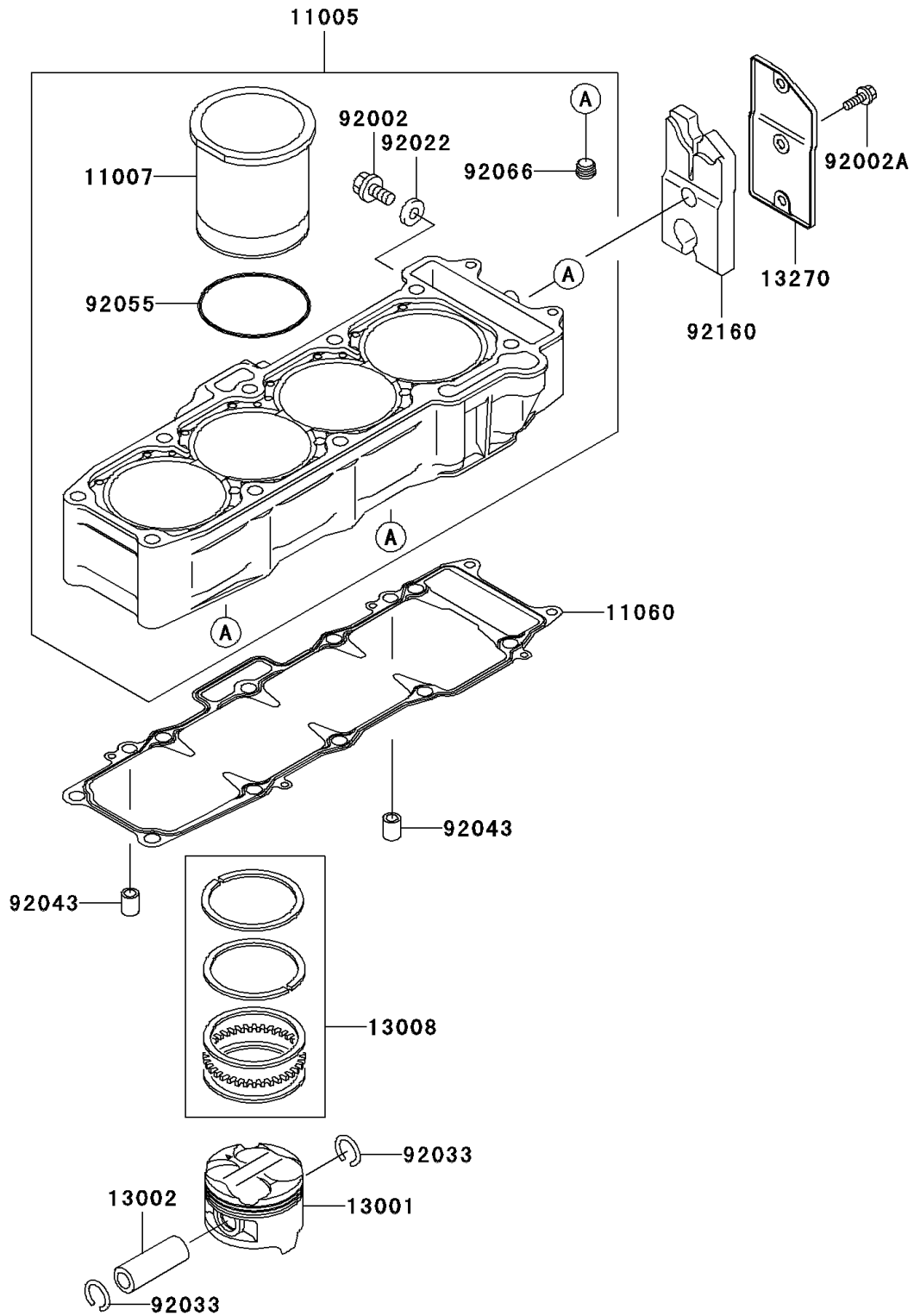


2000 Ninja® ZX™-7R PARTS DIAGRAM

Cylinder/Piston(s)

E1120



2000 Ninja® ZX™-7R PARTS LIST

Cylinder/Piston(s)

| ITEM NAME | PART NUMBER | QUANTITY |
|--|-------------|----------|
| CYLINDER-ENGINE (Ref # 11005) | 11005-1837 | 1 |
| LINER-CYLINDER (Ref # 11007) | 11007-1139 | 1 |
| GASKET,CYLINDER BASE,T=0.2 (Ref # 11060) | 11060-1705 | 1 |
| PISTON-ENGINE,STD (Ref # 13001) | 13001-1447 | 1 |
| PIN-PISTON (Ref # 13002) | 13002-1086 | 1 |
| RING-SET-PISTON,STD (Ref # 13008) | 13008-1168 | 1 |
| PLATE (Ref # 13270) | 13270-1502 | 1 |
| BOLT,16X10 (Ref # 92002) | 92002-1238 | 1 |
| BOLT,6X8 (Ref # 92002A) | 92002-1604 | 1 |
| WASHER,16XX22X1.0 (Ref # 92022) | 92022-1812 | 1 |
| RING-SNAP,20.5X1.2 (Ref # 92033) | 92033-1099 | 1 |
| PIN,DOWEL,10X14 (Ref # 92043) | 92043-1037 | 1 |
| RING-O,78.9X2.0 (Ref # 92055) | 92055-1526 | 1 |
| PLUG,PT1/4X8.9 (Ref # 92066) | 92066-1260 | 1 |
| DAMPER (Ref # 92160) | 92160-1813 | 1 |