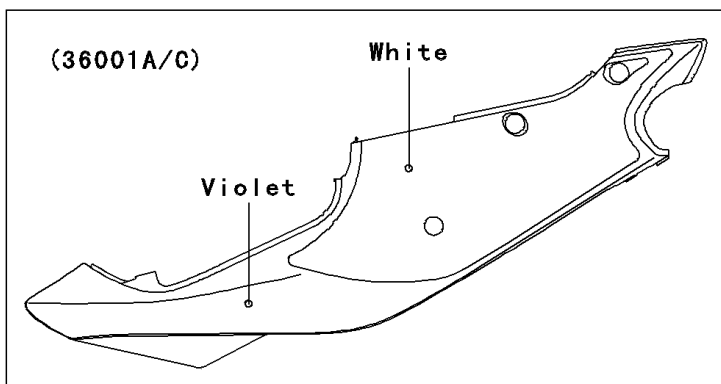
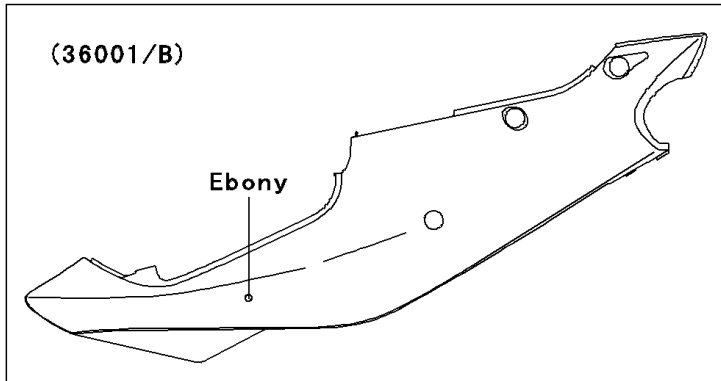
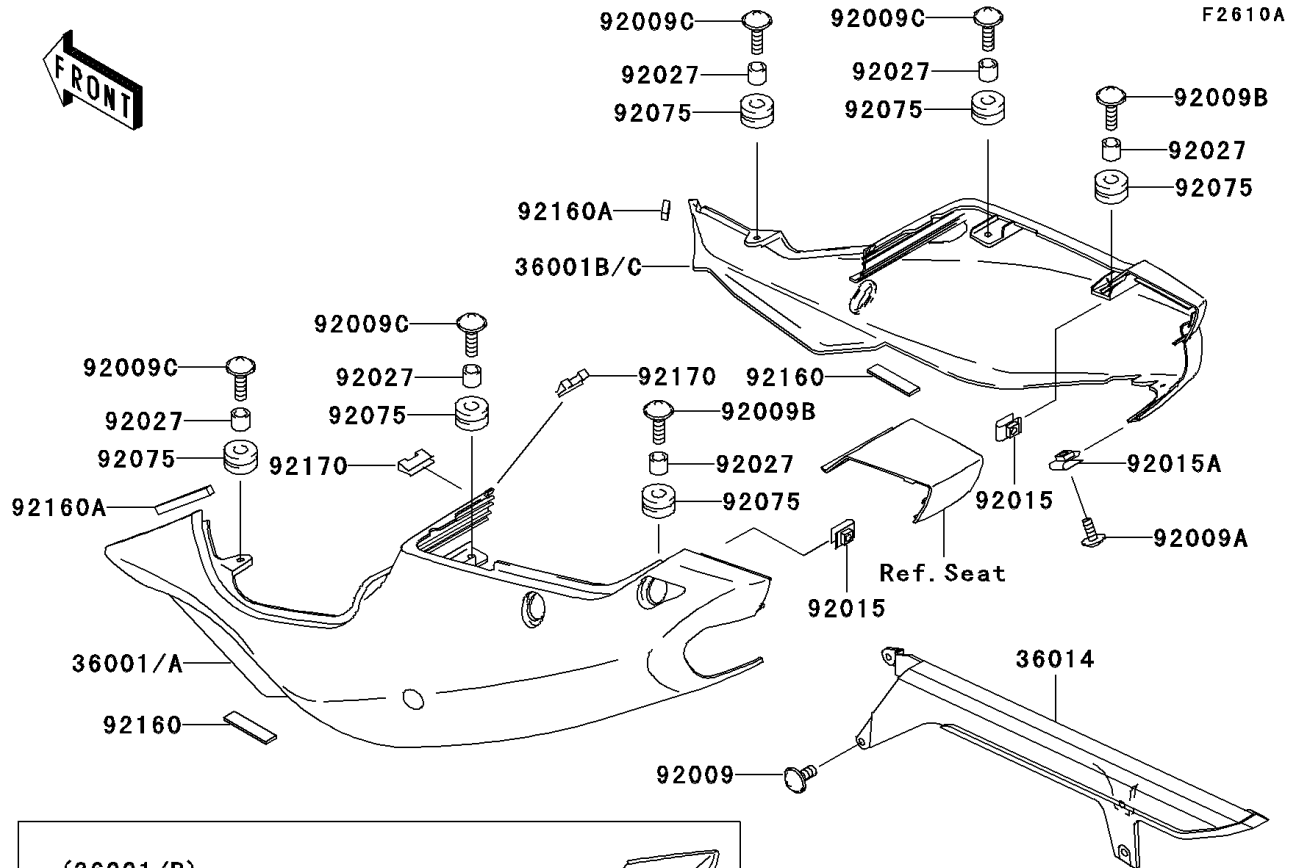


## 1997 Ninja® ZX™-7R PARTS DIAGRAM

Side Covers/Chain Cover(ZX750-P2)



## 1997 Ninja® ZX™-7R PARTS LIST

Side Covers/Chain Cover(ZX750-P2)

ITEM NAME	PART NUMBER	QUANTITY
COVER-SIDE,LH,EBONY (Ref # 36001)	36001-1557-H8	1
COVER-SIDE,LH,WHITE/VIOLET (Ref # 36001A)	36001-1557-39	1
COVER-SIDE,RH,EBONY (Ref # 36001B)	36001-1558-H8	1
COVER-SIDE,RH,WHITE/VIOLET (Ref # 36001C)	36001-1558-39	1
CASE-CHAIN (Ref # 36014)	36014-1200	1
SCREW,6X10 (Ref # 92009)	92009-1402	1
SCREW,5X14 (Ref # 92009A)	92009-1653	1
SCREW,6X18 (Ref # 92009B)	92009-1663	1
SCREW,6X22 (Ref # 92009C)	92009-1664	1
NUT,5MM (Ref # 92015)	92015-1798	1
NUT,5MM (Ref # 92015A)	92015-1996	1
COLLAR,6.8X10X8.5 (Ref # 92027)	92027-129	1
DAMPER (Ref # 92075)	92075-1634	1
DAMPER (Ref # 92160)	92160-1099	1
DAMPER (Ref # 92160A)	92160-1800	1
CLAMP (Ref # 92170)	92170-1440	1