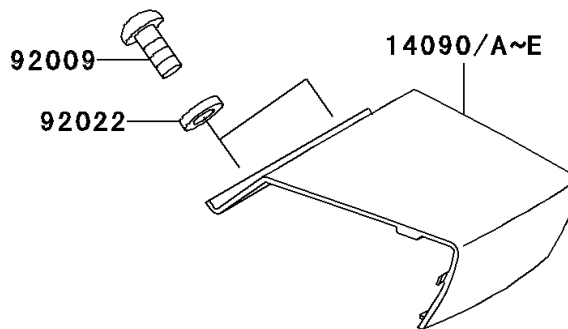
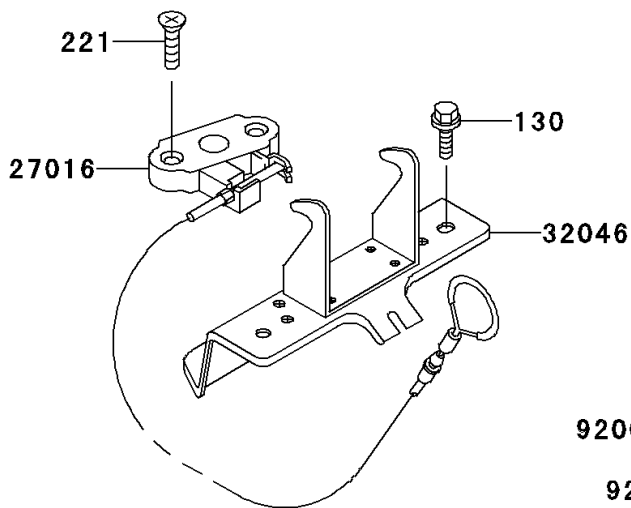
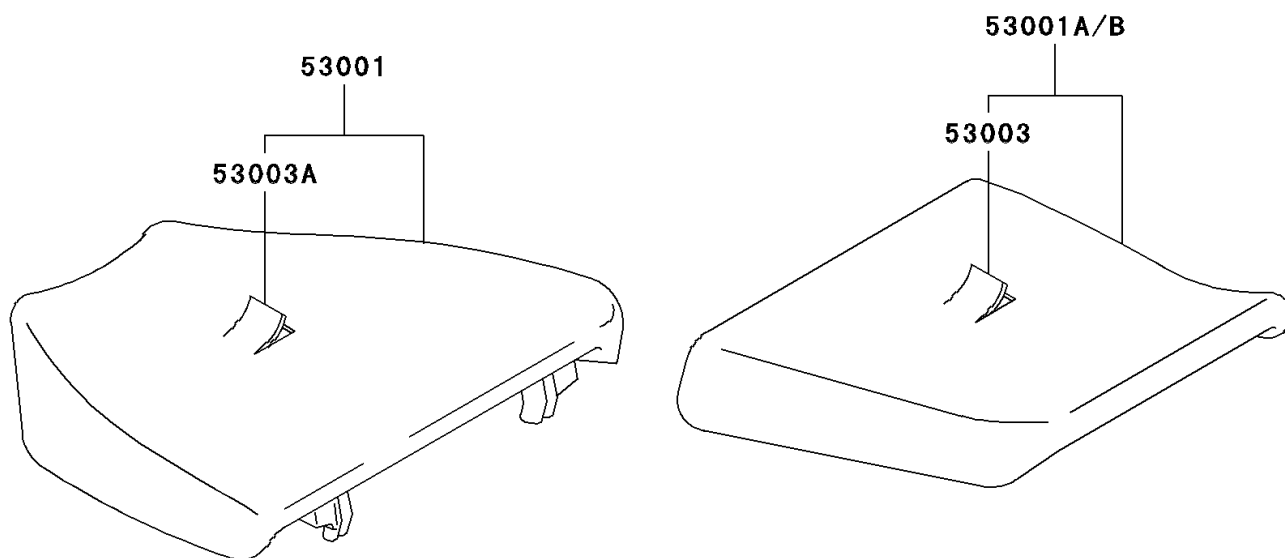


1998 Ninja® ZX™-7R PARTS DIAGRAM

Seat

F2510



1998 Ninja® ZX™-7R PARTS LIST

Seat

ITEM NAME	PART NUMBER	QUANTITY
BOLT-FLANGED,6X16,BLACK (Ref # 130)	130J0616	1
SCREW-CSK-CROS,6X20 (Ref # 221)	221B0620	1
COVER,TAIL,CNT,P.P.BLACK MICA (Ref # 14090C)	14090-1633-20	1
COVER,TAIL,CNT,L.GREEN (Ref # 14090E)	14090-1633-7F	1
LOCK-ASSY,SEAT (Ref # 27016)	27016-1107	1
BRACKET-SEAT (Ref # 32046)	32046-1420	1
SEAT-ASSY,FR,BLACK (Ref # 53001)	53001-1792-MA	1
SEAT-ASSY,RR,BLACK (Ref # 53001B)	53001-1833-MA	1
LEATHER,REAR SEAT,BLACK (Ref # 53003)	53003-1245-MA	1
LEATHER,FRONT SEAT,BLACK (Ref # 53003A)	53003-1345-MA	1
SCREW,5X16 (Ref # 92009)	92009-1654	1
WASHER,NYLON,5.3X11.5X1.5 (Ref # 92022)	92022-1521	1