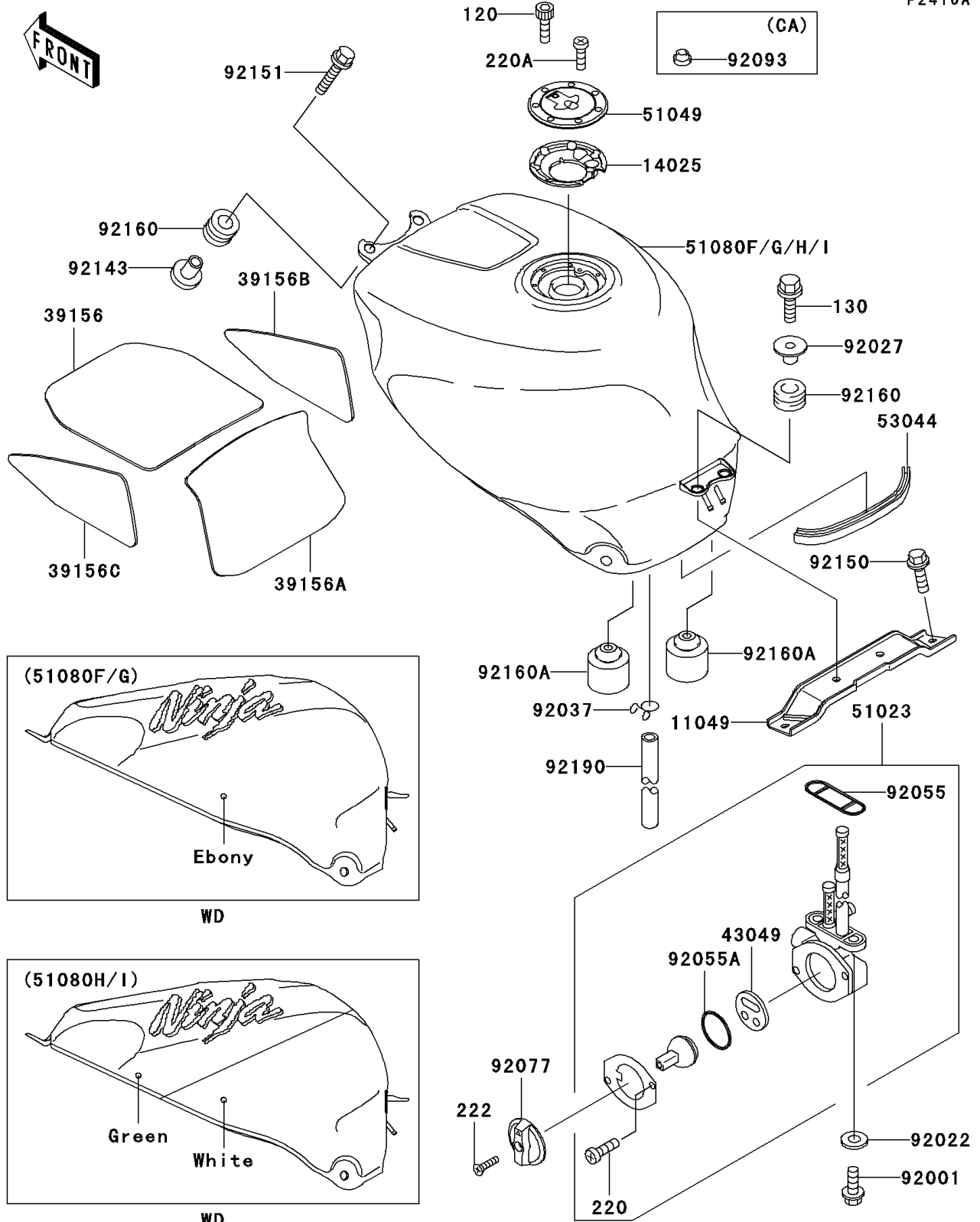


1997 Ninja® ZX™-7R PARTS DIAGRAM

Fuel Tank(ZX750-P2)

F2410A



1997 Ninja® ZX™-7R PARTS LIST

Fuel Tank(ZX750-P2)

| ITEM NAME | PART NUMBER | QUANTITY |
|---------------------------------------|---------------|----------|
| BRACKET,FUEL TANK,RR (Ref # 11049) | 11049-1866 | 1 |
| COVER,TANK CAP (Ref # 14025) | 14025-1913 | 1 |
| PAD,FUEL TANK,FR (Ref # 39156) | 39156-1312 | 1 |
| PAD,FUEL TANK,RR (Ref # 39156A) | 39156-1313 | 1 |
| PAD,FUEL TANK,SIDE,RH (Ref # 39156B) | 39156-1314 | 1 |
| PAD,FUEL TANK,SIDE,LH (Ref # 39156C) | 39156-1315 | 1 |
| PACKING,TAP VALVE (Ref # 43049) | 43049-1066 | 1 |
| TAP-ASSY,FUEL (Ref # 51023) | 51023-1221 | 1 |
| CAP-TANK,FUEL (Ref # 51049) | 51049-1091 | 1 |
| BOLT-SOCKET (Ref # 120) | 120S0512 | 1 |
| BOLT-FLANGED,6X25 (Ref # 130) | 130J0625 | 1 |
| SCREW-PAN-CROS (Ref # 220) | 220B0308 | 1 |
| SCREW-PAN-CROS (Ref # 220A) | 220C0508 | 1 |
| SCREW-CSK-RD-CROS (Ref # 222) | 222C0412 | 1 |
| TRIM (Ref # 53044) | 53044-1296 | 1 |
| BOLT,6X20 (Ref # 92001) | 92001-1091 | 1 |
| WASHER,6.2X11X1.5 (Ref # 92022) | 92022-183 | 1 |
| COLLAR,L=14.1 (Ref # 92027) | 92027-1920 | 1 |
| CLAMP,TUBE (Ref # 92037) | 92037-147 | 1 |
| RING-O,FUEL TAP PACKING (Ref # 92055) | 92055-1112 | 1 |
| RING-O,TAP LEVER (Ref # 92055A) | 92055-1419 | 1 |
| KNOB,FUEL TAP (Ref # 92077) | 92077-1120 | 1 |
| COLLAR (Ref # 92143) | 92143-1515 | 1 |
| BOLT,FLANGED,6X20 (Ref # 92150) | 92150-1633 | 1 |
| BOLT,FLANGED,6X30 (Ref # 92151) | 92151-1105 | 1 |
| DAMPER (Ref # 92160) | 92160-1162 | 1 |
| DAMPER (Ref # 92160A) | 92160-1513 | 1 |
| TUBE,DRAIN (Ref # 92190) | 92190-1418 | 1 |
| TANK-COMP-FUEL,EBONY (Ref # 51080F) | 51080-5343-H8 | 1 |

1997 Ninja® ZX™-7R PARTS LIST

Fuel Tank(ZX750-P2)

| ITEM NAME | PART NUMBER | QUANTITY |
|---|---------------|----------|
| TANK-COMP-FUEL,EBONY (Ref # 51080G) | 51080-5344-H8 | 1 |
| TAWK-COMP-FUEL,GREEN/WHITE (Ref # 51080H) | 51080-5371-CK | 1 |
| TAWK-COMP-FUEL,GREEN/WHITE (Ref # 51080I) | 51080-5372-CK | 1 |
| SEAL,FUEL TANK CAP (Ref # 92093) | 92093-1030 | 1 |