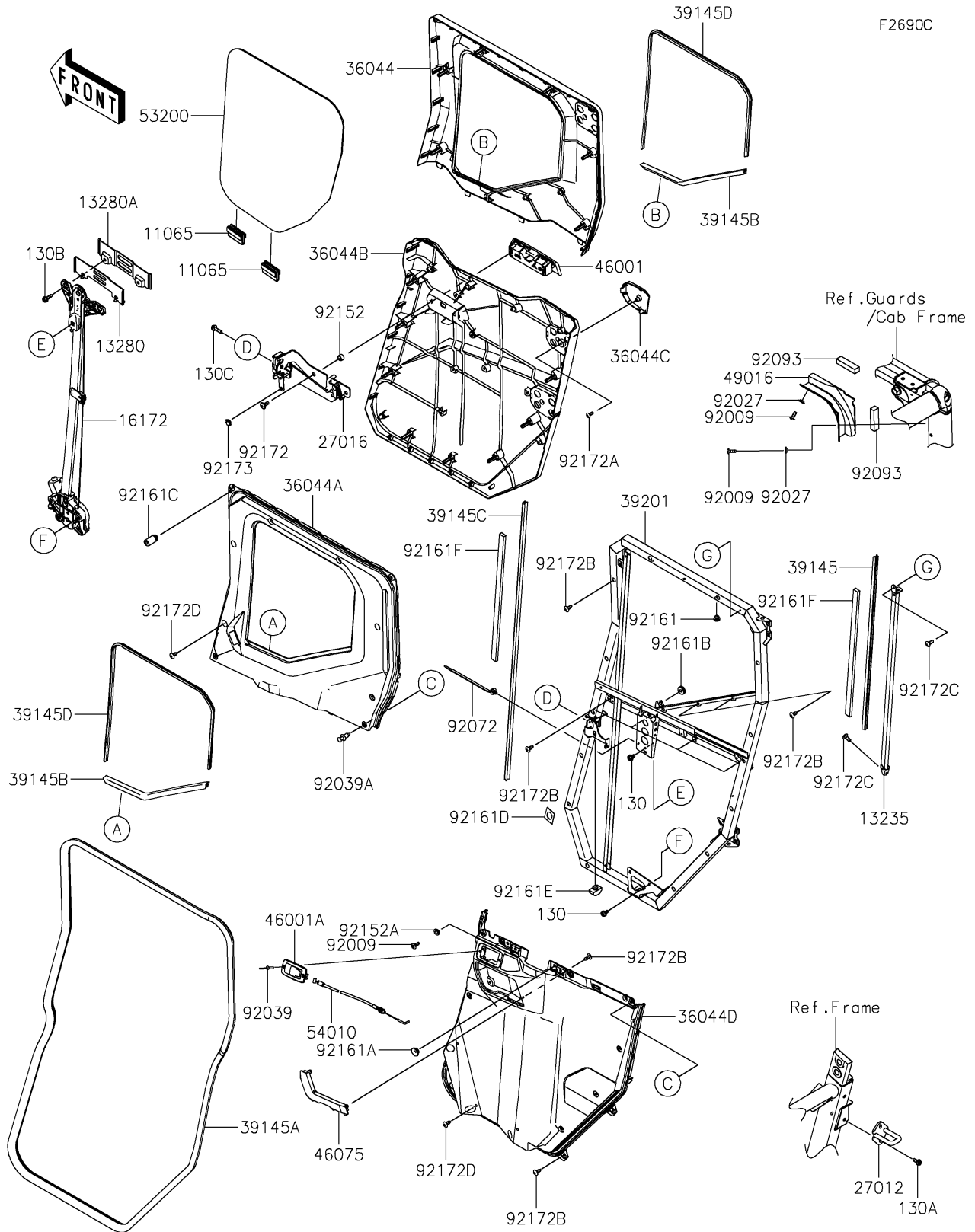


2025 RIDGE XR CREW Limited HVAC PARTS DIAGRAM

Door(RR/RH)



2025 RIDGE XR CREW Limited HVAC PARTS LIST

Door(RR/RH)

ITEM NAME	PART NUMBER	QUANTITY
CAP,WINDOW ACTUATOR (Ref # 11065)	11065-1432	2
GUIDE-COMP,WINDOW RAIL,RH (Ref # 13235)	13235-0017	1
HOLDER,WINDOW,INNER (Ref # 13280)	13280-1342	1
HOLDER,WINDOW,OUTER (Ref # 13280A)	13280-1343	1
ACTUATOR,WINDOW,RH (Ref # 16172)	16172-0564	1
HOOK,FULL DOOR (Ref # 27012)	27012-0926	1
LOCK-ASSY,RR DOOR,RH (Ref # 27016)	27016-0112	1
PANEL-DOOR,RR,RH,UPP,OUTER (Ref # 36044)	36044-0018	1
PANEL-DOOR,RR,RH,UPP,INNER (Ref # 36044A)	36044-0024	1
PANEL-DOOR,RR,RH,LWR,OUTER,GRY (Ref # 36044B)	36044-0026-75E	1
PANEL-DOOR,RR,HINGE,RH,M.B.GRY (Ref # 36044C)	36044-0028-75E	1
PANEL-DOOR,RR,RH,LWR,INNER (Ref # 36044D)	36044-0030	1
TRIM-SEAL,FULL DOOR,RAIL,RR (Ref # 39145)	39145-0747	1
TRIM-SEAL,RR FULL DOOR (Ref # 39145A)	39145-0784	1
TRIM-SEAL,RR WINDOW,LWR (Ref # 39145B)	39145-0786	2
TRIM-SEAL,RR FULL DOOR,RAIL,FR (Ref # 39145C)	39145-0787	1
TRIM-SEAL,RR WINDOW,UPP (Ref # 39145D)	39145-0818	2
FRAME-COMP-DOOR,RR,RH (Ref # 39201)	39201-0014	1
HANDLE-ASSY,OUTER (Ref # 46001)	46001-0017	1
HANDLE-ASSY,DOOR,INNER (Ref # 46001A)	46001-0026	1
GRIP,RR DOOR,INNER,RH (Ref # 46075)	46075-0695	1
COVER-SEAL,RR DOOR,RH (Ref # 49016)	49016-0717	1
WINDOW,RR,GLASS (Ref # 53200)	53200-0002	1
CABLE,RR DOOR HANDLE (Ref # 54010)	54010-0675	1
SCREW,TAPPING,6X16 (Ref # 92009)	92009-1166	5
COLLAR,L=4.6 (Ref # 92027)	92027-1168	2
RIVET,4.0X17.5 (Ref # 92039)	92039-0703	2
RIVET (Ref # 92039A)	92039-0776	2
BAND,OS170-FT7(BLACK) (Ref # 92072)	92072-1414	1

2025 RIDGE XR CREW Limited HVAC PARTS LIST

Door(RR/RH)

ITEM NAME	PART NUMBER	QUANTITY
SEAL,WINDOW,CORNER (Ref # 92093)	92093-0811	2
COLLAR,6.5X8.5X5.5 (Ref # 92152)	92152-0612	2
COLLAR,6.3X9.5X4.1 (Ref # 92152A)	92152-1571	3
DAMPER (Ref # 92161)	92161-1084	3
DAMPER (Ref # 92161A)	92161-1531	2
DAMPER,6X19X5.6 (Ref # 92161B)	92161-1911	1
DAMPER (Ref # 92161C)	92161-2612	1
DAMPER (Ref # 92161D)	92161-2613	14
DAMPER (Ref # 92161E)	92161-2618	1
DAMPER,20X550X10 (Ref # 92161F)	92161-2649	2
SCREW,6X16 (Ref # 92172)	92172-0236	2
SCREW,TAPPING,5X14 (Ref # 92172A)	92172-0265	1
SCREW,6X16 (Ref # 92172B)	92172-0284	9
SCREW,TAPPING,6X16 (Ref # 92172C)	92172-0739	2
SCREW,TAPPING,6X16 (Ref # 92172D)	92172-1470	19
CLAMP (Ref # 92173)	92173-2863	1
BOLT-FLANGED,6X10 (Ref # 130)	130BA0610	3
BOLT-FLANGED,6X14 (Ref # 130A)	130BA0614	2
BOLT-FLANGED,6X18 (Ref # 130B)	130BA0618	2
BOLT-FLANGED,6X22 (Ref # 130C)	130BA0622	2